

# CLASSIC PRO™ BUBBLER®

## MINI-TWIN®

Project

Date

Models

**SR-2E-16**

**SR-2E-22**

Item #

Quantity



**Model SR-2E-16**

## Features

- Pre-mix dispenser with stainless steel base and clear plastic, easy-clean bowls
- Models available with polycarbonate bowl or BPA free bowl.
- Dispenses 2 flavors in (2) 2.4 gallon (9 Liters) bowls.
- Agitation model for fresh juices, coffees, or teas with minimal foaming system.
- Along with spray circulation.
- Compact size of 10.5" (27 cm) wide saves valuable counter space
- Unique evaporator and high efficiency pump cools faster and more efficiently for quick start-up.
- New easy-off bowl release system means no more reaching into the bowl. Makes cleaning easier and reduces labor.
- 9" (22.9 cm) cup clearance for a variety of drinks.
- Dispenses product to the very last drop.
- Fewer removable parts to simplify cleaning and reduce maintenance.
- Temperature range from 35-41 °F (1.7-5 °C).

**CRATHCO**

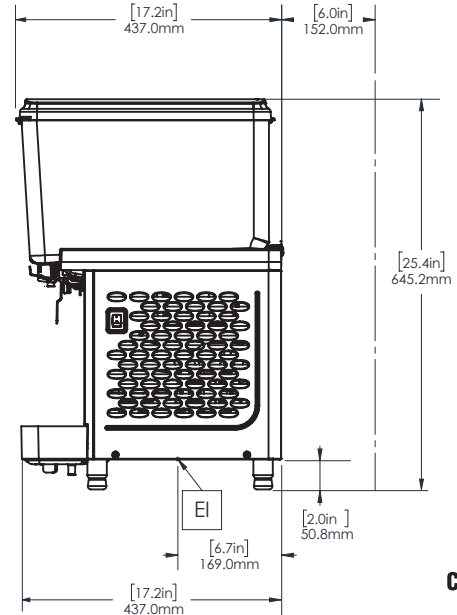
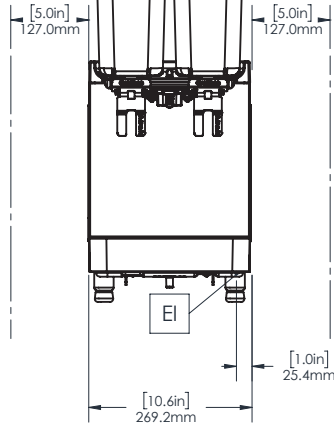
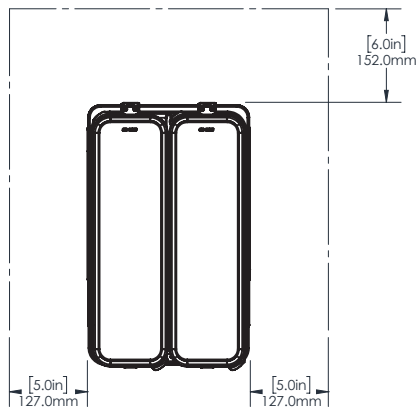
0524 Form # CC-931-11

CLASSIC PRO™ BUBBLER®

**Electrolux**  
PROFESSIONAL

# CLASSIC PRO™ BUBBLER®

## MINI-TWIN®



Model SR-2E  
represented



MODEL	DESCRIPTION	ELECTRICAL	PRODUCT DIMENSIONS (H X W X D)	SHIP DIMENSIONS (H X W X D)	SHIP WEIGHT IN TWO BOXES
<b>SR-2E-16*</b> Base: (LV606142) Bowl: (LV60144)	(2) 2.4 gallon (9 L) bowls Polycarbonate bowl	120V 60 Hz 3.6A	25.4" x 10.6" x 16.9" (65 cm x 27 cm x 43 cm)	Base: 19.5" x 15" x 18.9" (49.5 cm x 38 cm x 48 cm) Bowl: 17" x 12.2" x 19.3" (43 cm x 31 cm x 49 cm)	Total: 66 lbs. (30 kg) Base: 53 lbs. (24 kg) Bowl: 13 lbs. (6 kg)
<b>SR-2E-22*</b> Base: (231-01520) Bowl: (231-01528)	(2) 2.4 gallon (9 L) bowls Polycarbonate bowl	220-240V 50/60 Hz 1.5A	25.4" x 10.6" x 16.9" (65 cm x 27 cm x 43 cm)	Base: 19.5" x 15" x 18.9" (49.5 cm x 38 cm x 48 cm) Bowl: 17" x 12.2" x 19.3" (43 cm x 31 cm x 49 cm)	Total: 66 lbs. (30 kg) Base: 53 lbs. (24 kg) Bowl: 13 lbs. (6 kg)

\***Electrical:** NEMA 5-15P line cord included.  
**Refrigeration:** R134a

### OPTIONS

- Spray function Single Unit (250-00455)
- Liquid Autofill (LV606096) AF-2 Clearly
- Clean Kit (LV9R0172)
- Preventative Maintenance Kit (250-00457)