

CLASSIC PRO™ BUBBLER®

MINI-QUAD®

Project

Date

Models

SR-4E-16

SR-4E-22

Item #

Quantity



Model SR-4E-16

Features

- Pre-mix dispenser with stainless steel base and clear plastic, easy-clean bowls
- Models available with polycarbonate bowl or BPA free bowl.
- Dispenses 4 flavors in (4) 2.4 gallon (9 Liters) bowls.
- Agitation model for fresh juices, coffees, or teas with minimal foaming system.
- Along with spray circulation.
- 9" (22.9 cm) cup clearance for a variety of drinks.
- New easy-off bowl release system means no more reaching into the bowl. Makes cleaning easier and reduces labor.
- Unique evaporator and high efficiency pump cools faster and more efficiently for quick start-up.
- Dispenses product to the very last drop.
- Fewer removable parts to simplify cleaning and reduce maintenance.
- Temperature range from 35-41 °F (1.7-5 °C).
- Large capacity drip pan.

CRATHCO

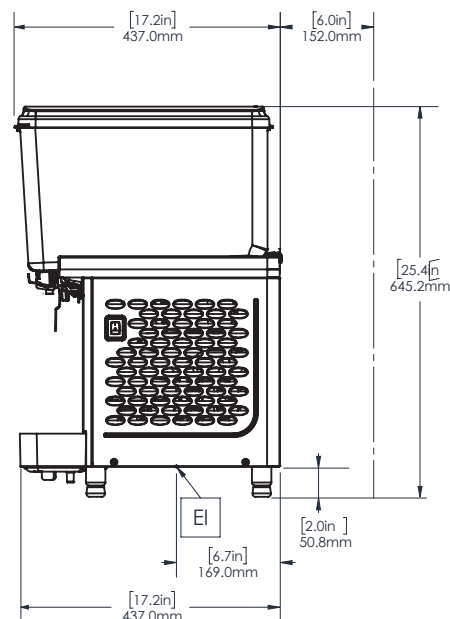
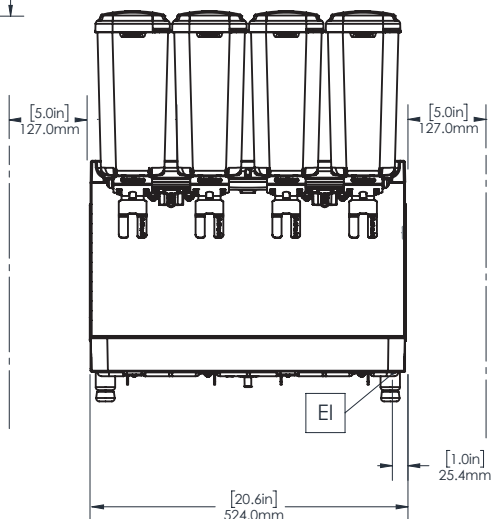
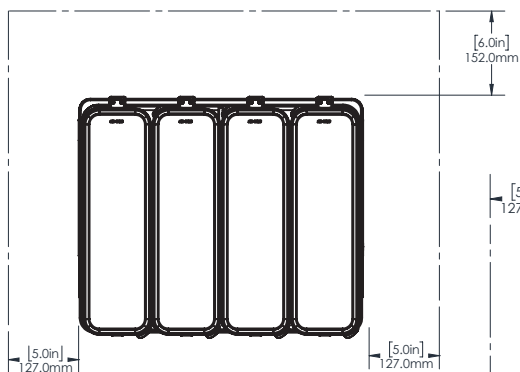
0524 Form # CC-931-11

CLASSIC PRO™ BUBBLER®

Electrolux
PROFESSIONAL

CLASSIC PRO™ BUBBLER®

MINI-QUAD®



Model SR-4E
represented



MODEL	DESCRIPTION	ELECTRICAL	PRODUCT DIMENSIONS (H X W X D)	SHIP DIMENSIONS (H X W X D)	SHIP WEIGHT IN TWO BOXES
SR-4E-16* Base: (LV606143) Bowl: (LV606145)	(4) 2.4 gallon (9 L) bowls Polycarbonate bowl	120V 60 Hz 8.5A	25.4" x 20.6" x 16.9" (65 cm x 52 cm x 43 cm)	Base: 19.5" x 24.8" x 18.9" (49.5 cm x 63 cm x 48 cm) Bowl: 25.6" x 22.4" x 12.2" (65 cm x 57 cm x 31 cm)	Total: 99 lbs. (44.9 kg) Base: 77 lbs. (34.9 kg) Bowl: 22 lbs. (10 kg)
SR-4E-22* Base: (231-01523) Bowl: (231-01531)	(4) 2.4 gallon (9 L) bowls Polycarbonate bowl	220-240V 50/60 Hz 4.0A	25.4" x 20.6" x 16.9" (65 cm x 52 cm x 43 cm)	Base: 19.5" x 24.8" x 18.9" (49.5 cm x 63 cm x 48 cm) Bowl: 25.6" x 22.4" x 12.2" (65 cm x 57 cm x 31 cm)	Total: 99 lbs. (44.9 kg) Base: 77 lbs. (34.9 kg) Bowl: 22 lbs. (10 kg)

***Electrical:** NEMA 5-15P line cord included.

Refrigeration: R134a

OPTIONS

- Spray function Single Unit (250-00455)
- Liquid Autofill (LV606096) AF-2 Clearly
- Clean Kit (LV9R0172)
- Preventative Maintenance Kit (250-00458)