



The Signature of Quality®

### FEDERAL INDUSTRIES

A Standex Company  
215 Federal Avenue  
Belleville, WI 53508-9201

Phone: 800-356-4206  
Fax: 608-424-3234  
Email: geninfo@federalind.com  
Website: www.federalind.com

Project Name: \_\_\_\_\_

Item #: \_\_\_\_\_

Model #: \_\_\_\_\_ Qty: \_\_\_\_\_

Approval: \_\_\_\_\_

AIA#

SIS#

## Convertible Service Over Refrigerated Self-Serve Display Case

Display a variety of products and serve more customers with pre-presentation and value in mind.



Model SSRC5052 Shown

MODEL	DIMENSIONS ( Includes End Panels )
<input type="checkbox"/> <b>SSRC2452</b>	24 x 34.3 x 52.5 (in) 610 x 864 x 1321 (mm)
<input type="checkbox"/> <b>SSRC3652</b>	36 x 34.3 x 52.5 (in) 914 x 864 x 1321 (mm)
<input type="checkbox"/> <b>SSRC5052</b>	50 x 34 x 52.5 (in) 1270 x 864 x 1321 (mm)
<input type="checkbox"/> <b>SSRC5952</b>	59 x 34.3 x 52.5 (in) 1499 x 864 x 1321 (mm)
<input type="checkbox"/> <b>SSRC7752</b>	77 x 34.3 x 52.5 (in) 1956 x 864 x 1321 (mm)

### STANDARD FEATURES

#### Convertible Service Top Display

- Divided merchandising area (24" and 36" models have one display area only)
- Clear glass rear sliding doors (24" model has hinged door)
- Tempered lift-up thermopane front glass

#### Refrigerated Self-Serve Bottom Display

- Steel base construction with black exterior
- Black interior, glass end panels
- Two-tier black display step
- Easily accessible light switch and adjustable power switch located at case rear
- Rear access to refrigeration system for quick and easy service
- Adjustable leg levelers

#### Refrigeration

- Condensate evaporator provided for a totally self-contained system
- Electronic temperature controls maintain 38°-40° F case temperature.
- Easy clean, rustproof insulated evaporator coil compartment
- Insulated with high-density urethane foam
- Starting January 1, 2025, R449a refrigerant will be replaced by R290
- Thermometer
- Baffle system converts display from non-refrigerated to refrigerated (Service Top Display)

#### Shelving

- Adjustable black wire shelf

#### Lighting

- 3500K LED top and shelf Light
- DLC Certified, IP66 rated

#### Agency Approvals

- UL and UL Sanitation listed
- DOE 2017 Compliant

### OPTIONAL ACCESSORIES

#### For Service Top Display

- Reflective Rear Doors
- Glass Shelves

#### For Self-Service Refrigerated Base

- Reflective End Glass
- Special Finish
- Energy Saving Night Curtain
- Security Night Cover
- Solid Rear Sliding Access Doors for Bottom Section
- Cord & Plug
- Remote Refrigeration (R449a Refrigerant, EEV Included)
- Casters (Recessed or 4") or 6" Legs
- Black Wire or Glass Shelf with Light in Lieu of Display Steps
- Rear Wrapping Board



**WARRANTY\***  
One year Parts and Labor  
2nd thru 5th year part  
only service compressor  
(U.S.A and Canada)



Note: Information is subject to change at any time.  
Visit [www.federalind.com](http://www.federalind.com) for the most current specs.

Revised 12/30/2024

# AIA# CONVERTIBLE SERVICE OVER REFRIGERATED SELF-SERVE SPECIALTY MERCHANDISER

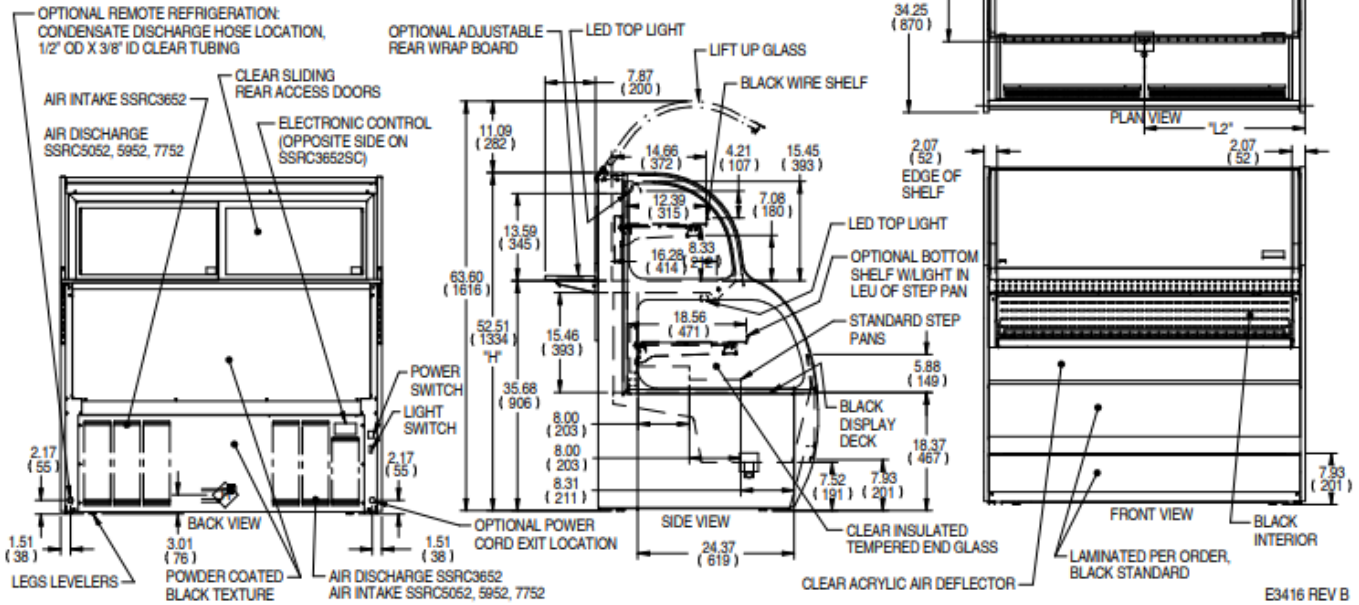
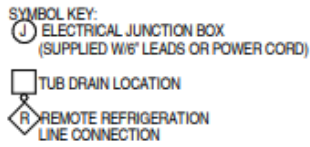
## SIS# Product Specifications

Intended Environment: Type I - Designed to operate in maximum ambient conditions of 75°F (24°C) and 55% relative humidity unless noted otherwise in system information below.

Zone	Intended Product To Be Displayed	Avg Prod Temp °F/°C
All	Packaged Refrigerated Products	38°F / (3.3°C)

DIMENSION: xx"/(mm)

DIMENSION TOLERANCE +/- 0.25 (6.4)



E3416 REV B

MODEL	DIMENSION					TUB DRAIN		SHELVING			TOP INTERIOR VOLUME CU FT	BOTTOM INTERIOR VOLUME CU FT	PERMANENT CONNECT 2-WIRE + GROUND			OPTIONAL NEMA CORD & PLUG	REFRIGERANT	C.U. HP	CONDENSATE REMOVAL	SHIP WEIGHT LBS	PERMANENT CONNECT 2-WIRE + GROUND		REFRIGERANT	BTU'S @+20°	CONDENSATE REMOVAL	SHIP WEIGHT LBS	
	L	D	H	L3	L2	# OF TIERS	D	L1	ELECTRICAL	AMPS			MAX FUSE SIZE	120/60/1	MAX FUSE SIZE						CONDENSATE PUMP	KILO					KILO
	in	in	in	in	in		in	in																			
SSRC2452	24.00	34.30	52.50		5.74	1	12.4	19.75	3.10	5.00	120/60/1	11.3	20	NEMA 5-20	R449a	1/3 HP	CONDENSATE PAN	480 LBS	9.5	15	R449a	3,600	CONDENSATE PUMP	430 LBS			
	610	871	1334		146		315	502										218 KILO					195 KILO				
SSRC3652	36.00	34.30	52.60	20.92	5.26	1	12.4	31.75	5.10	8.40	120/60/1	14.3	20	NEMA 5-20	R449a	1/3 HP	CONDENSATE PAN	590 LBS	8.5	15	R449a	4,400	CONDENSATE PUMP	530 LBS			
	914	871	1336	531	134		315	806										268 KILO					240 KILO				
SSRC5052	50.00	34.30	52.60	25.60	25.00	1	12.4	45.75	7.10	11.80	208-230/60/1	9.5	15	NEMA 6-15	R449a	1/2 HP	CONDENSATE PAN	720 LBS	10.0	15	R449a	5,400	CONDENSATE PUMP	660 LBS			
	1270	871	1336	650	635		315	1162										327 KILO					299 KILO				
SSRC5952	59.00	34.30	52.60	26.70	29.47	1	12.4	54.75	8.50	14.00	208-230/60/1	14.5	20	NEMA 6-20	R449a	3/4 HP	CONDENSATE PAN	845 LBS	13.0	15	R449a	6,400	CONDENSATE PUMP	770 LBS			
	1499	871	1336	678	749		315	1391										383 KILO					349 KILO				
SSRC7752	77.00	34.30	52.60	26.70	38.47	1	12.4	72.75	11.20	18.30	208-230/60/1	14.5	20	NEMA 6-20	R449a	3/4 HP	CONDENSATE PAN	1010 LBS	13.0	15	R449a	7,400	CONDENSATE PUMP	935 LBS			
	1956	871	1336	678	977		315	1848										458 KILO					424 KILO				

- Refrigerated cases are designed to operate in a maximum of 75°F (24°C) ambient and 55% relative humidity.
- Due to continuing engineering improvements, specifications are subject to change without notice.
- IF GFCI is required, a GFI Breaker must be used in lieu of GFCI receptacle.



**FEDERAL INDUSTRIES**  
 A Standex Company  
 215 Federal Avenue, Belleville, Wisconsin 53508-9201

**Phone:** 800-356-4206  
**Fax:** 608-424-3234  
**Email:** Geninfo@Federalind.com  
**Website:** Federalind.com