



# SMK12 SCALE MASTER KIT 12

Scale Elimination... Pure & Simple.

Provides premium scale elimination for espresso, coffee brewers, iced tea, small counter steamers, flash steamers, and small nugget ice maker (flakers).



### BENEFITS

The TERRY product line provides proprietary technology that has been proven to eliminate scale problems around the world. Its stand-alone effectiveness allows customers great flexibility in the field. TERRY does not manage the water – TERRY controls it.

### EASY INSTALLATION

- Connects to 1/4" cold water line
- Includes easy connect fittings
- Install SMK12 vertically

### SIMPLE OPERATION

- Up to 6 months life for maximum preventative maintenance and scale elimination
- Stand alone product
- No electricity needed

### APPLICATION

- Provides scale elimination for espresso, coffee brewers, iced tea, small counter steamers, flash steamers, and small nugget ice maker (flakers).
- Up to 3,000 gallon capacity

## SPECIFICATIONS

Dimensions:  
3 1/2"W x 8"H

Fittings: 1/4" easy connect

Inlet connection: 1/4"

Outlet connection: 1/4"

3,000 gallon capacity  
(up to 6 months)

Pressure requirements:  
10 - 100 psi

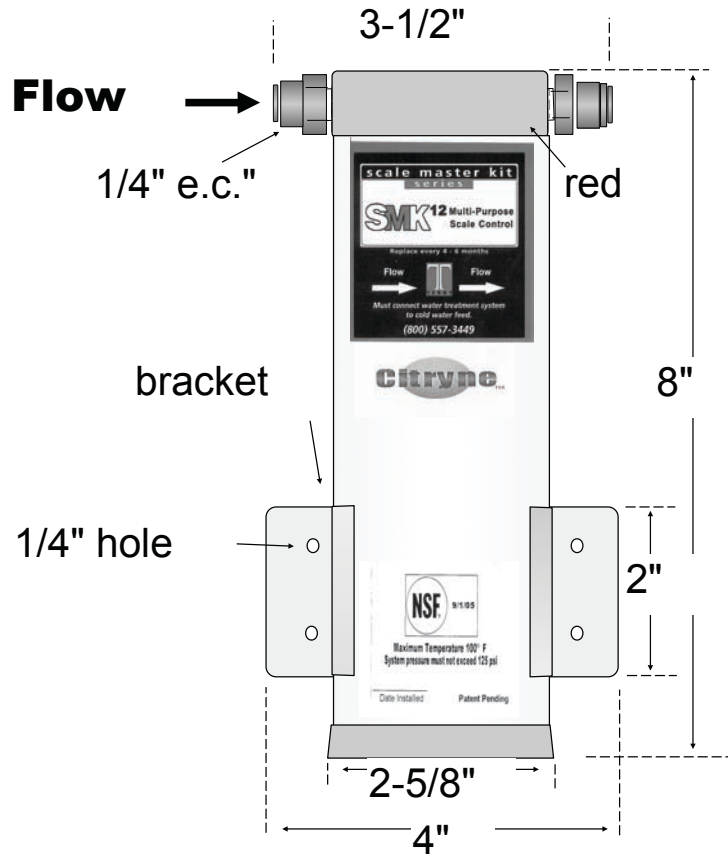
Maximum temperature:  
100° F

No electrical connection needed

Shipping weight: 3 lbs.

Mounting bracket optional

Replacement: SMK12



# Scale Elimination... Pure & Simple.

6641 W. Frye Rd. • Chandler, AZ 85226 • 800-557-3449

[wecontrolwater.com](http://wecontrolwater.com)