

Company:

Job:

Notes:

Item#:



MANUFACTURING INC.

WORK TABLES - 18ga/400 Beveled Square Edge

5" BACKSPASH TOP WITH OPEN BASE & GALVANIZED LEGS

FEATURES & CONSTRUCTION

- Top is fabricated with 1-1/2" Beveled Square edge on front edge, 5" Backsplash and flat edges on both ends.
- Table top edges formed with hemmed edges to provide extra rigidity and safe to touched finished.
- Top reinforced with two (2) sound deadening hat channels
- All exposed welded areas smooth polished to brush finish sanitary #4.
- Adjustable cross-bar secure to leg with easily cross-bar manage aluminum die cast fitting.
- Welded leg socket for removable table legs.
- All tables shipped K.D. and easily assembled.

MATERIAL

- Top: 18 Gauge 430 Stainless Steel
- Cross-bar 1 1/4" Galvanized Steel Tubing
- Leg: 1 5/8" Galvanized Steel Tubing, Galvanized Steel
- Leg Socket, 1" Adjustable Plastic Bullet Feet



Hat Channel Supported



Square Edge



Aluminum Die Cast Fitting for Adjustable Cross Bar



1" Adjustable Plastic Bullet Feet



45° Slanted Backsplash

WEIGHT CAPACITY FOR DISTRIBUTED LOAD IN LBS

| 5" BACKSPASH TOP TABLES WITH OPEN BASE | UP TO 72" LENGTH | 84" + WITH CENTER LEG |
|----------------------------------------|------------------|-----------------------|
| 18 ga Table Top | 350 | 450 |

| Model # | SIZE | | | G.W. |
|---------------|------|------|-----|---------|
| | W | L | H | |
| SMTEOB-2424G | 24" | 24" | 36" | 32 lbs |
| SMTEOB-2430G | 24" | 30" | 36" | 36 lbs |
| SMTEOB-2436G | 24" | 36" | 36" | 39 lbs |
| SMTEOB-2448G | 24" | 48" | 36" | 46 lbs |
| SMTEOB-2460G | 24" | 60" | 36" | 53 lbs |
| SMTEOB-2472G | 24" | 72" | 36" | 61 lbs |
| SMTEOB-2484G | 24" | 84" | 36" | 74 lbs |
| SMTEOB-2496G | 24" | 96" | 36" | 84 lbs |
| SMTEOB-24108G | 24" | 108" | 36" | 94 lbs |
| SMTEOB-24120G | 24" | 120" | 36" | 104 lbs |

| Model # | SIZE | | | G.W. |
|---------------|------|------|-----|---------|
| | W | L | H | |
| SMTEOB-3030G | 30" | 30" | 36" | 38 lbs |
| SMTEOB-3036G | 30" | 36" | 36" | 42 lbs |
| SMTEOB-3048G | 30" | 48" | 36" | 52 lbs |
| SMTEOB-3060G | 30" | 60" | 36" | 61 lbs |
| SMTEOB-3072G | 30" | 72" | 36" | 67 lbs |
| SMTEOB-3084G | 30" | 84" | 36" | 83 lbs |
| SMTEOB-3096G | 30" | 96" | 36" | 92 lbs |
| SMTEOB-30108G | 30" | 108" | 36" | 101 lbs |
| SMTEOB-30120G | 30" | 120" | 36" | 110 lbs |



* 84" tables and longer come with 6 legs

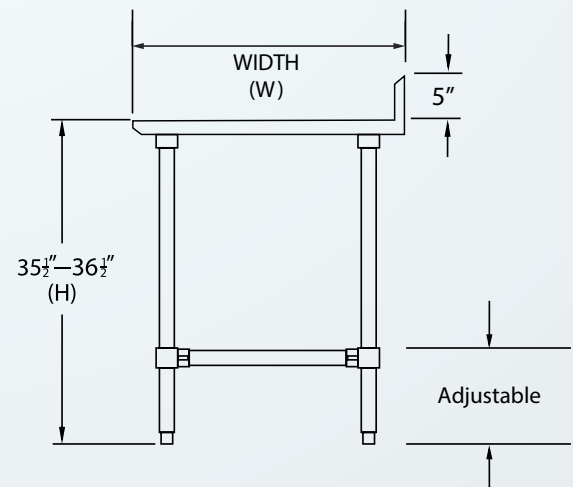
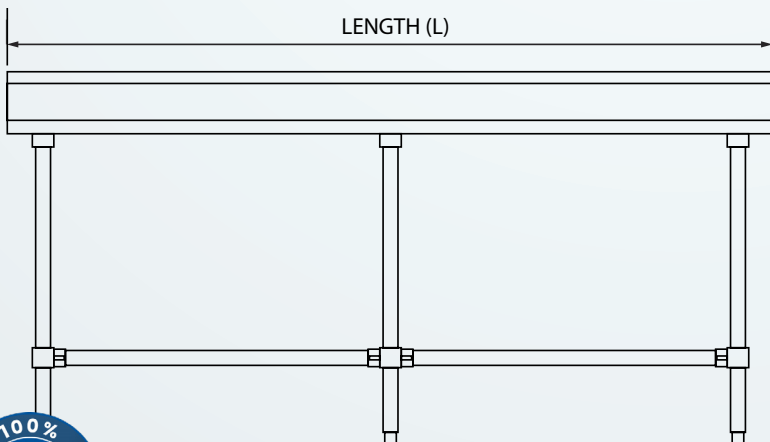
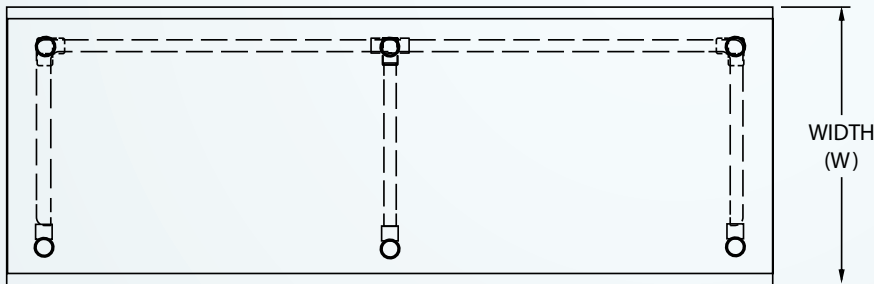
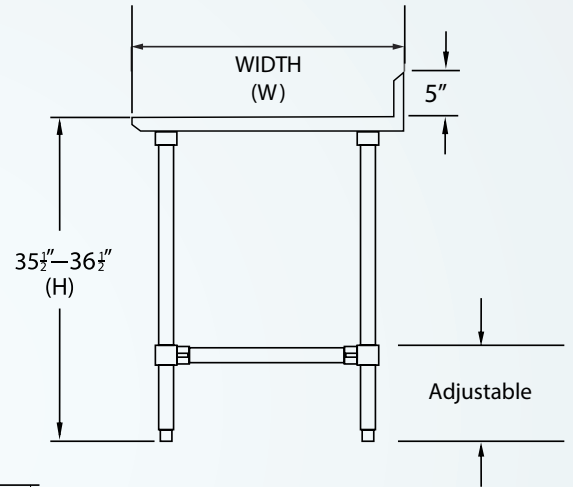
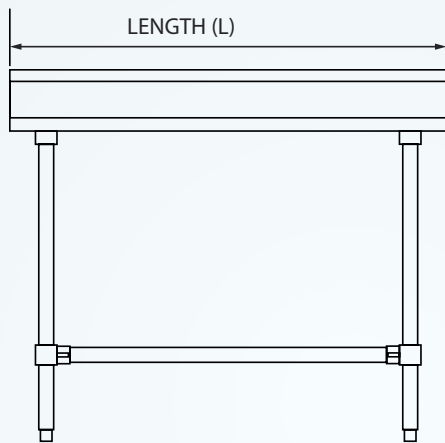
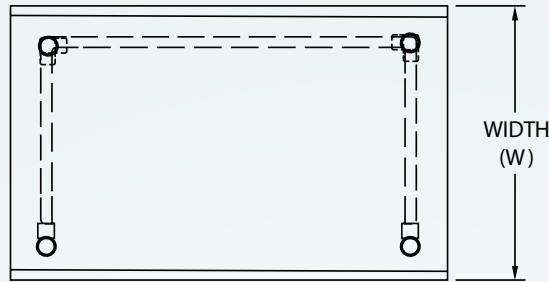




MANUFACTURING INC.

WORK TABLES - 18ga/400 Beveled Square Edge

5" BACKSPLASH TOP WITH OPEN BASE & GALVANIZED LEGS



Specifications subject to change without notice - All dimensions are typical (Tolerance 1/4")