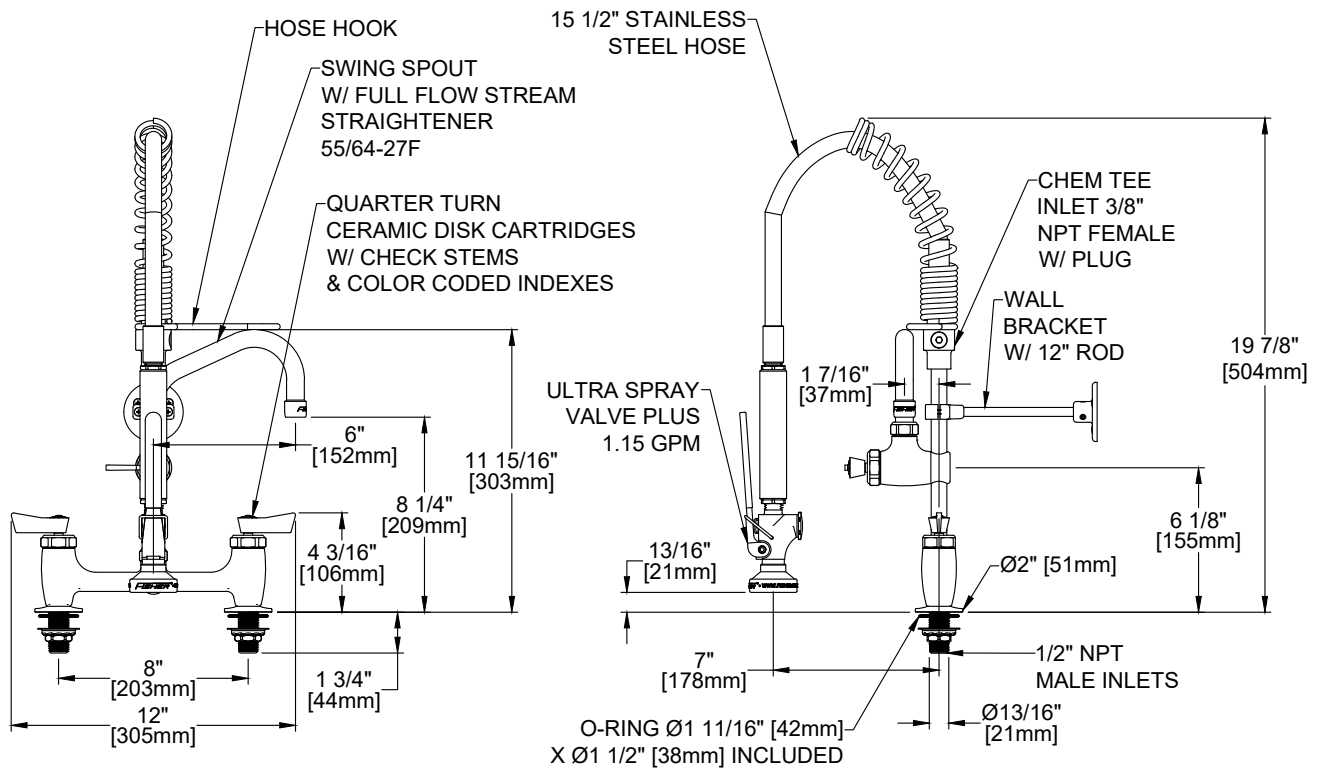
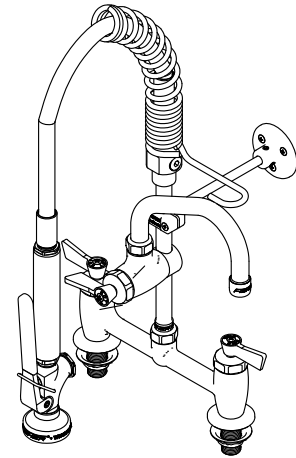
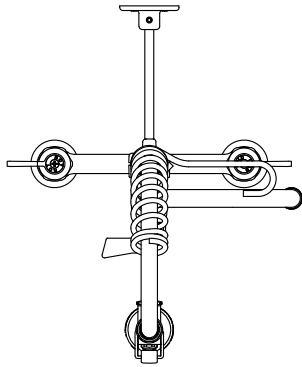


Customer/Wholesaler:	Date:	Job Name:	Model Specified: 74330	Quantity:
Contractor:		Architect/Engineer:		

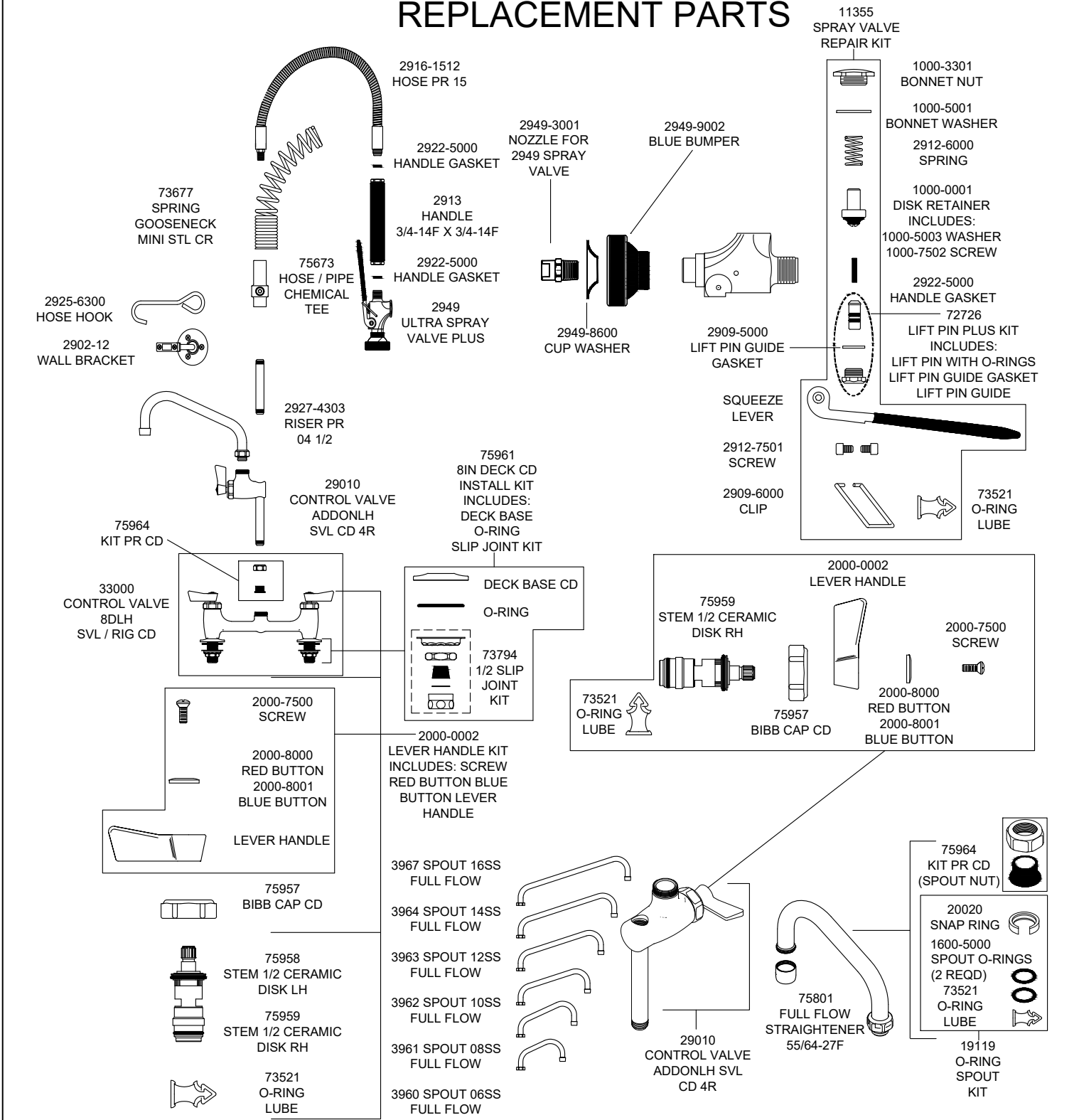


PRODUCT SPECIFICATIONS: PRE-RINSE, LOW PROFILE SPRING, 8" DECK CONTROL VALVE, QUARTER TURN CERAMIC DISK CARTRIDGES W/ CHECK STEMS, LEVER HANDLES, ADD-ON FAUCET, SWING SPOUT W/ FULL FLOW STREAM STRAIGHTENER 12.5 GPM @ 60 PSI, 15 1/2" STAINLESS STEEL HOSE, 1.15 GPM @ 60 PSI SPRAY VALVE, 12" WALL BRACKET, 1/2" NPT MALE INLETS

PRODUCT COMPLIANCE:  
ASME A112.18.1 / CSA B125.1  
NSF 61 - Section 9  
NSF 372 (Low Lead Content)  
2019 DOE PRSV - Class II

Customer/Wholesaler:	Date:	Job Name:	Model Specified: 74330	Quantity:
Contractor:		Architect/Engineer:		

## REPLACEMENT PARTS



**PRODUCT SPECIFICATIONS:** PRE-RINSE, LOW PROFILE SPRING, 8" DECK CONTROL VALVE, QUARTER TURN CERAMIC DISK CARTRIDGES W/ CHECK STEMS, LEVER HANDLES, ADD-ON FAUCET, SWING SPOUT W/ FULL FLOW STREAM STRAIGHTENER 12.5 GPM @ 60 PSI, 15 1/2" STAINLESS STEEL HOSE, 1.15 GPM @ 60 PSI SPRAY VALVE, 12" WALL BRACKET, 1/2" NPT MALE INLETS

**PRODUCT COMPLIANCE:** ASME A112.18.1 / CSA B125.1 NSF 61 - Section 9 NSF 372 (Low Lead Content) 2019 DOE PRSV - Class II