

Project:	Quantity:
Model #:	Approval:

For Commercial Use Only

ESTC48-3S 48" Three Pan Sealed Well Electric Hot Food Steam Table - 120V, 1500W

FEATURES

- Stainless steel structure with individual valves
- Enclosed base cabinet with sliding doors
- Polyethylene cutting board
- Adjustable stainless steel feet
- Stainless steel heating element
- Independent infinite controls
- Pans sold separately
- Indicator light included

The Standard 110V plug makes it simple to just plug in and keep hot food ready for serving in a buffet or cafeteria. No spillage pans required for sealed well steam table, allowing customer directly add water to the well. Built-in water drain make it easy for cleaning after service.



- cETLus
 - ETL-Sanitation
- Certified to NSF Standard
- 
- 
- Intertek Intertek

Optional Sneeze Guard

- Stainless steel construction
- For steamtables, salad bars, counters
- Protects food on 3 sides
- Easy to clean

Protect your food while still allowing your customers to see your product! Stainless steel frame are easy to clean and built to last.



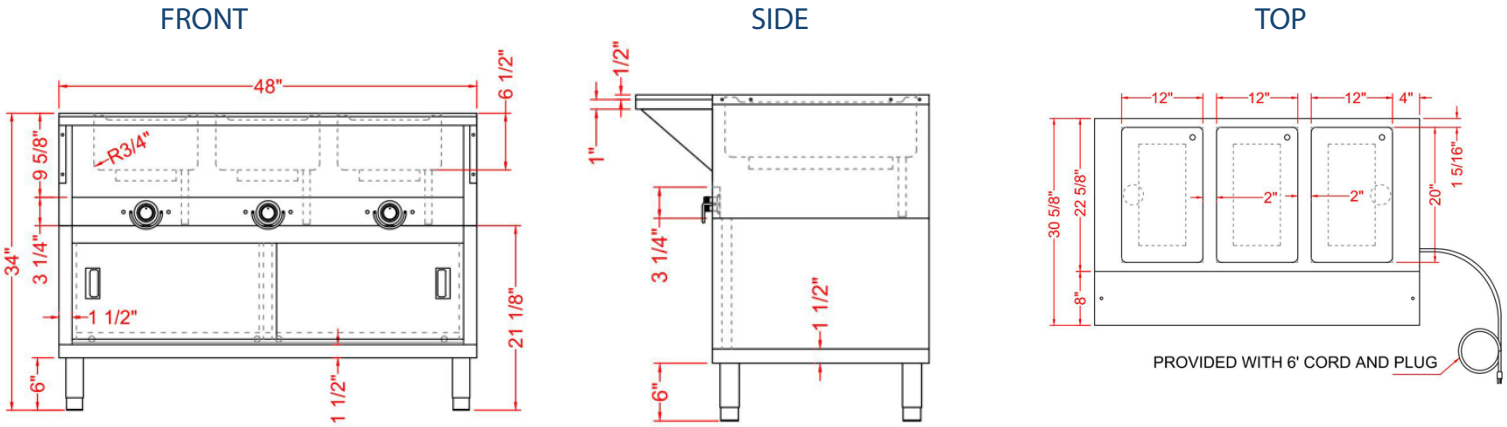
USR Brands is a US supplier of premium quality commercial cooking, refrigeration and food preparation equipment. Our aim is simple. Produce industry-leading commercial restaurant equipment at reasonable prices, and back it all up with an easy to understand, no nonsense warranty that people can count on.

For Commercial Use Only

TECHNICAL DATA

MODEL	Exterior Dimension	Volts/Hertz/Phase	Watts	Plug	Number of Well	Well Type	Body Type
ESTC48-3S	48" x 30.6" x 34.4"	120V/60HZ/1HP	1500W	Nema 5-15P	3	Sealed Well	Cabinet

TECHNICAL DRAWING



With Optional Sneez Guard

