

Project:	Quantity:
Model #:	Approval:

For Commercial Use Only

ESTC74-5S 74" Five Pan Sealed Well Electric Hot Food Steam Table - 240V, 3750W

FEATURES

- Durable stainless steel structure
- Enclosed base cabinet with sliding doors
- Polyethylene cutting board
- Adjustable stainless steel feet
- Stainless steel heating element
- Independent infinite controls
- Sealed well type
- Built in water drain
- No spillage pans needed



- cETLus
- ETL-Sanitation

Certified to NSF Standard



Optional Lighted Sneeze Guard

- 74" lighted heated sneeze guard
- Four side tempered glass
- Includes five heat lamp bulbs
- Prevents contamination

This 74" food service glass sneeze guard display features stainless steel frame with four sides tempered glass, allowing customers excellent views of your food from all angles. The standard 120V makes set up easy.



USR Brands is a US supplier of premium quality commercial cooking, refrigeration and food preparation equipment. Our aim is simple. Produce industry-leading commercial restaurant equipment at reasonable prices, and back it all up with an easy to understand, no nonsense warranty that people can count on.

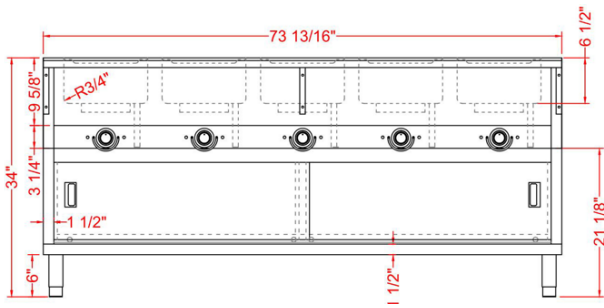
For Commercial Use Only

TECHNICAL DATA

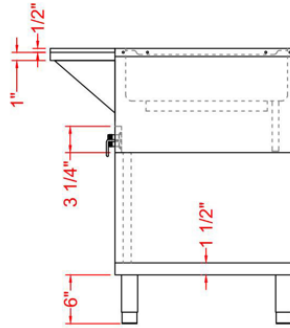
MODEL	Exterior Dimension	Volts/Hertz	Watts	Plug	Number of Well	Well Type	Body Type
ESTC74-5S	73.8" x 30.6" x 34.4"	208~240V/60HZ	3750W	NEMA 6-20P	5	Sealed Well	Cabinet

TECHNICAL DRAWING

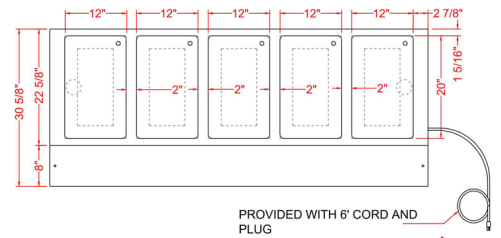
FRONT



SIDE

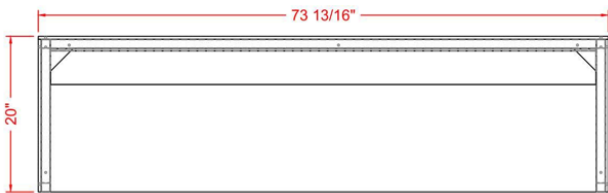


TOP

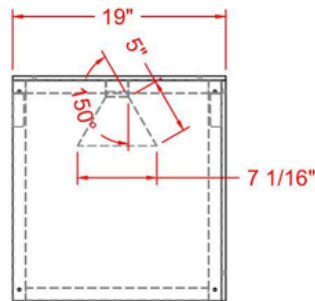


Optional Lighted Sneeze Guard

FRONT



SIDE



TOP

