

Project:	Quantity:
Model #:	Approval:

*For Commercial Use Only*

## GSTC60-4S 60" Four Well Gas Hot Food Steam Table with Enclosed Base

### FEATURES

- Removable 1/2" thick poly cutting board
- Stainless steel construction
- 4 Powerful Jet burners
- Sliding doors with handle
- Legs included
- Fiberglass insulation between wells
- Gas regulator included
- Independent heat controls
- Built-in water drain
- Sealed well design for water heat  
(no spillage pans needed)



- cETLus
  - ETL-Sanitation
- Certified to NSF Standard
- 
- 

### Optional Lighted Sneez Guard

- 60" Lighted Heated Sneez Guard
- Four side tempered glass
- Includes four heat lamp bulbs
- Prevents contamination

This 60" food service glass sneez guard display features stainless steel frame with four sides tempered glass, allowing customers excellent views of your food from all angles. The standard 120V makes set up easy.



**U**SR Brands is a US supplier of premium quality commercial cooking, refrigeration and food preparation equipment. Our aim is simple. Produce industry-leading commercial restaurant equipment at reasonable prices, and back it all up with an easy to understand, no nonsense warranty that people can count on.

For Commercial Use Only

**TECHNICAL DATA**

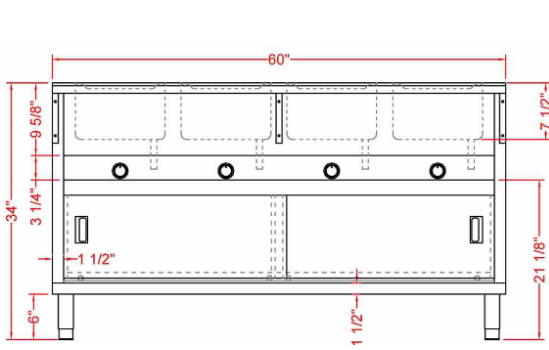
MODEL	Exterior Dimension	Number of Well(s)	Number of Burner(s)	BTU per Burner	Total BTU	Well Type	Body Type
GSTC60-4S	60" x 30.6" x 34.4"	4	4	3,500BTU	14,000BTU	Sealed Well	Cabinet

**TECHNICAL DRAWING**

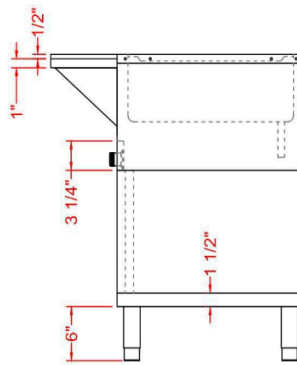
SKU: GSTC60-4S

MFR ITEM #:

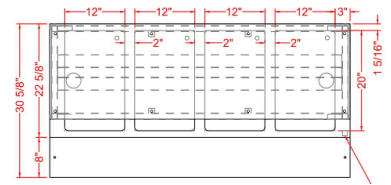
FRONT



SIDE

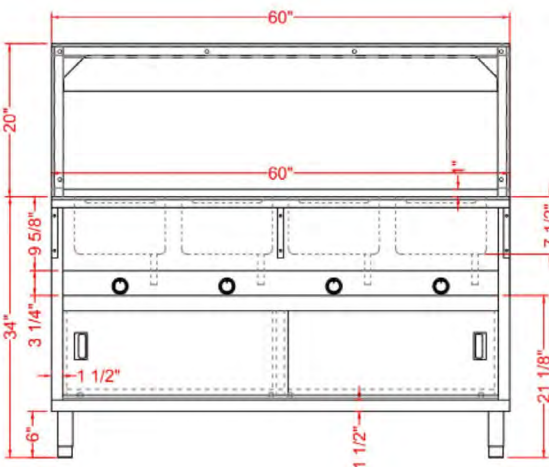


TOP

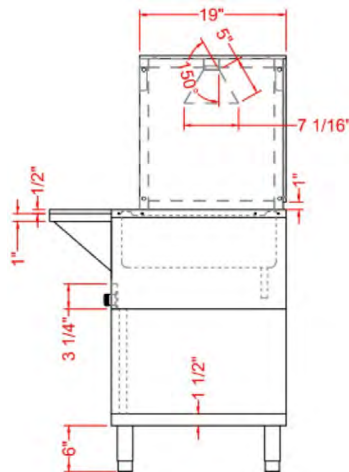


**Optional Lighted Sneeze Guard**

FRONT



SIDE



TOP

