

 **General Information**

Project Name: _____

Consultant: _____

Item #: _____

Model #: _____

Quantity: _____



Model #CG02-72

 **Specifications**

CG Corner Guards are made of 16GA type 300 series stainless steel with kinked edges for snug/tight hold.

Pieces are bent 90°.

 **Product Guide**

IMC Corner Guards protect wall corners and gives a decorative look.

IMC Corner Guards prevent wear and tear from taking place and keeps employees safe from any injury.

Easy to install & customizable to accommodate your wall to fit snug & secure.

 **Options**

- Custom Sizes

CORNER GUARDS

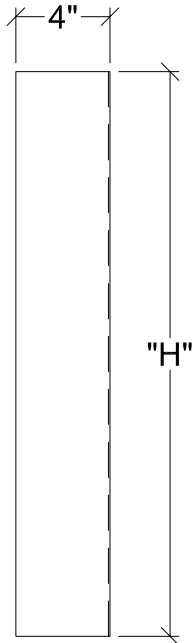
Leg 1	Leg 2	Height	Model (Outside Corner)	Model (Inside Corner)
2"	2"	48"	<input type="checkbox"/> CG02-48	<input type="checkbox"/> CGI2-48
		60"	<input type="checkbox"/> CG02-60	<input type="checkbox"/> CGI2-60
		72"	<input type="checkbox"/> CG02-72	<input type="checkbox"/> CGI2-72
		84"	<input type="checkbox"/> CG02-84	<input type="checkbox"/> CGI2-84
		96"	<input type="checkbox"/> CG02-96	<input type="checkbox"/> CGI2-96
4"	4"	48"	<input type="checkbox"/> CG04-48	<input type="checkbox"/> CGI4-48
		60"	<input type="checkbox"/> CG04-60	<input type="checkbox"/> CGI4-60
		72"	<input type="checkbox"/> CG02-72	<input type="checkbox"/> CGI4-72
		84"	<input type="checkbox"/> CG02-84	<input type="checkbox"/> CGI4-84
		96"	<input type="checkbox"/> CG02-96	<input type="checkbox"/> CGI4-96



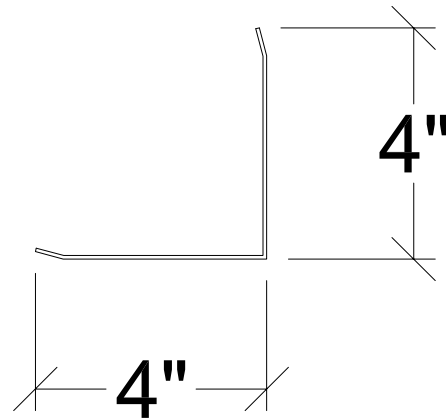
CG-40 0222



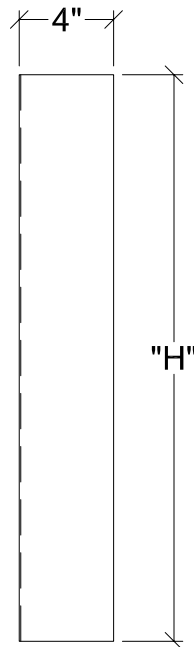
DRAWINGS



ELEVATION



PLAN



SIDE ELEVATION

Specifications subject to change without notice.

CG-40 0222