

General Information

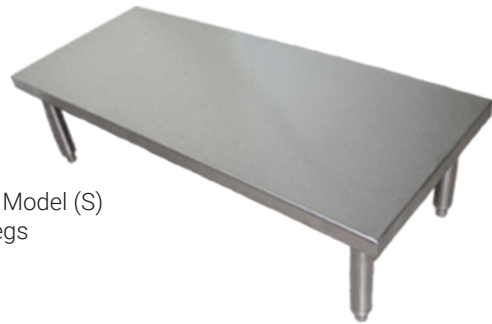
Project Name: _____

Consultant: _____

Item #: _____

Model #: _____

Quantity: _____



Solid Model (S)
w/ Legs



Louvered Model (L)
w/ Optional Casters



Specifications

D Dunnage Rack is produced from 16GA type 300 series stainless steel corners fully welded and ground smooth.

Unit to be supported by 1 $\frac{5}{8}$ " OD, 18-8 type 300 series stainless steel upright posts, and sanitary, adjustable stainless steel feet for leveling.

All dunnage racks are NSF approved.

Product Guide

D units are built heavy duty for transporting bulky, heavy packages and for direct storage in dry and refrigerated areas.

Easily assembled.

Solid surface design provides easy access and quick clean up of spills. Large louvers allow uniform temperature distribution.

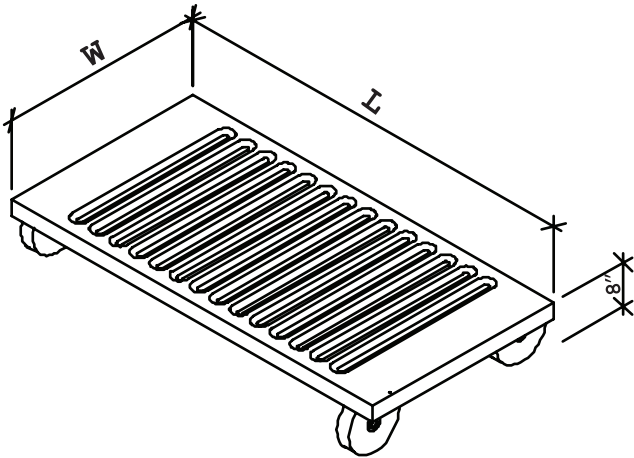
Stationary units provided with stainless steel posi-grip adjustable foot inserts, attached to posts.

Mobile units provided with 5" casters. See selection guide and information.

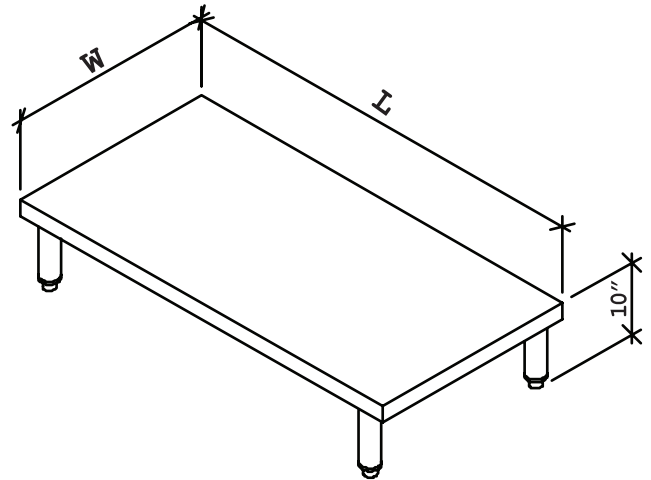
Options

- RC-5** - 5" Rubber Casters - Standard
- PCY-5** - 5" Poly Casters - Heavy Duty
- PCYS-5** - 5" S/S Poly Casters - Heavy Duty
- PPC-5** - 5" Plate Poly Casters - Heavy Duty
- GF-2** - Grease Fittings
- FF-50** - S/S Flanged Feet
- BAC** - Brakes on All Casters
- RB-10** - Revolving Bumpers
- CBM-20** - Corner Bumpers
- BF-40** - S/S Bullet Feet
- AES** - Aeroform Shelves
- GA-12** - 12GA Upgrade
- GA-14** - 14GA Upgrade
- SRE-60** - Shelf Reinforcement (Solid Only)
- PLG-70** - Perimeter Ledge
- SEI-80** - Seismic Earthquake Shelving
- WELD** - Set-Up & Welded Unit
- PCAP** - Post Caps

DRAWINGS



Louvered Model



Solid Model

Louvered Dunnage Racks Stationary							
Model	Size (W x L)	Model	Size (W x L)	Model	Size (W x L)	Model	Size (W x L)
□ D-3618-L	18" x 36"	□ D-3621-L	21" x 36"	□ D-3624-L	24" x 36"	□ D-3627-L	27" x 36"
□ D-4218-L	18" x 42"	□ D-4221-L	21" x 42"	□ D-4224-L	24" x 42"	□ D-4227-L	27" x 42"
□ D-4818-L	18" x 48"	□ D-4821-L	21" x 48"	□ D-4824-L	24" x 48"	□ D-4827-L	27" x 48"
□ D-5418-L	18" x 54"	□ D-5421-L	21" x 54"	□ D-5424-L	24" x 54"	□ D-5427-L	27" x 54"

Solid Dunnage Racks Stationary							
Model	Size (W x L)	Model	Size (W x L)	Model	Size (W x L)	Model	Size (W x L)
□ D-3618-S	18" x 36"	□ D-3621-S	21" x 36"	□ D-3624-S	24" x 36"	□ D-3627-S	27" x 36"
□ D-4218-S	18" x 42"	□ D-4221-S	21" x 42"	□ D-4224-S	24" x 42"	□ D-4227-S	27" x 42"
□ D-4818-S	18" x 48"	□ D-4821-S	21" x 48"	□ D-4824-S	24" x 48"	□ D-4827-S	27" x 48"
□ D-5418-S	18" x 54"	□ D-5421-S	21" x 54"	□ D-5424-S	24" x 54"	□ D-5427-S	27" x 54"

**More sizes available, check price book pg.54*

Specifications subject to change without notice.

D-60 0823