



Project Name: \_\_\_\_\_

Item #: \_\_\_\_\_

Model #: \_\_\_\_\_

# FLOOR TROUGH W/ SEEPAGE FLANGE INSTALLATION GUIDE

For Design and Installation Assistance  
Call: 800-221-5644  
[info@imcteddy.com](mailto:info@imcteddy.com)

50 Ranick Drive East • Amityville, NY 11701  
(P) 800-221-5644 • (F) 631-789-8881

[www.imcteddy.com](http://www.imcteddy.com)

# INTRODUCTION

Installing the IMC Teddy Floor Trough w/ Seepage Flange is a straightforward procedure that can be accomplished with normal construction materials and techniques. Installation procedures may vary due to field conditions and state regulations. Please note that the following instructions are for all **general troughs w/ seepage flange** and are recommendations only. The installer is responsible for proper setting and making sure the appropriate codes are followed. Please contact the IMC Teddy Engineering Department (800-221-5644) prior to considering retrofit installations.

Please read the attached information carefully, as much of the information provided is reflecting proven installation techniques used in previous installations.

## Parts Included

- Floor Trough w/ Seepage Flange
- Beehive/Basket Strainer (Not Shown)

## Installation Instructions

In order for the opening in the box out to receive the unit, the unit must meet specific dimensions. A summary of the required trough area dimensions can be found to the right.

### Step 1:

Set the floor trough into the box out, making sure the trough drain overlaps the plumber's drain inside the box out. (See image to the right)

### Step 2:

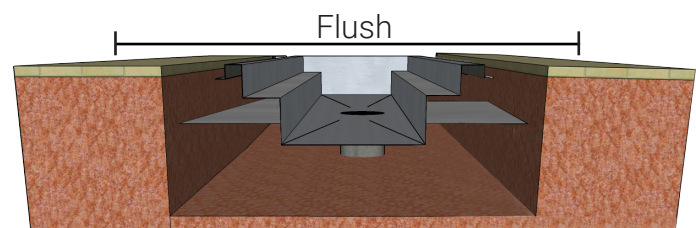
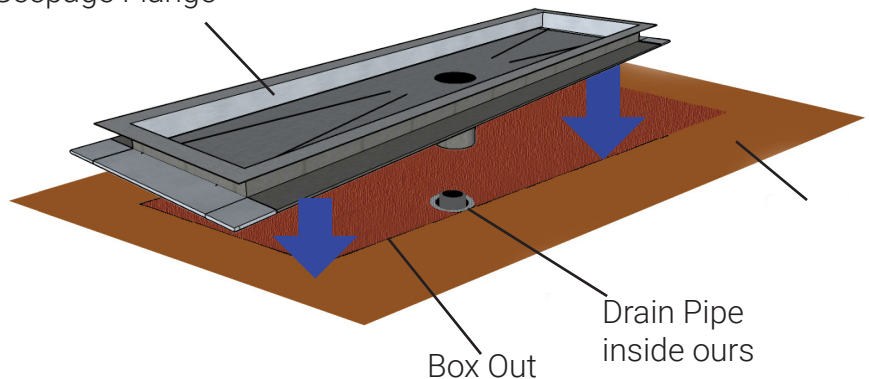
The box out height must be flush with the flange of the trough. There should be 1" of space in between the flange and the box out, in order to insert the mortar. (Refer to Spec Sheet for measurements)

Note: The unit itself must be level, even if the surrounding floor is not. Do not assume the surrounding floor is level.

## Trough Area

- Width (PIT) = Width ("W") + 10" Minimum
- Length (PIT) = Length ("L") + 10" Minimum
- Depth (PIT) = Depth of Trough + 1/2" + Finish Floor
- Size of Rough-In Hole For Drains 7½ 0 Minimum

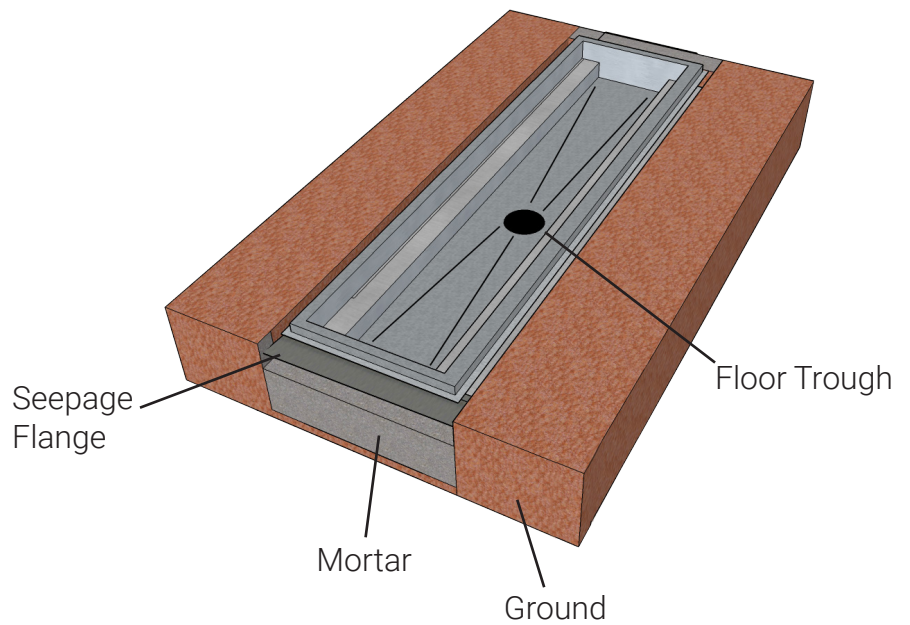
Floor Trough w/  
Seepage Flange



Note: All plumbing connections of our equipment are subject to plumbers/ installers discretion.

### Step 3:

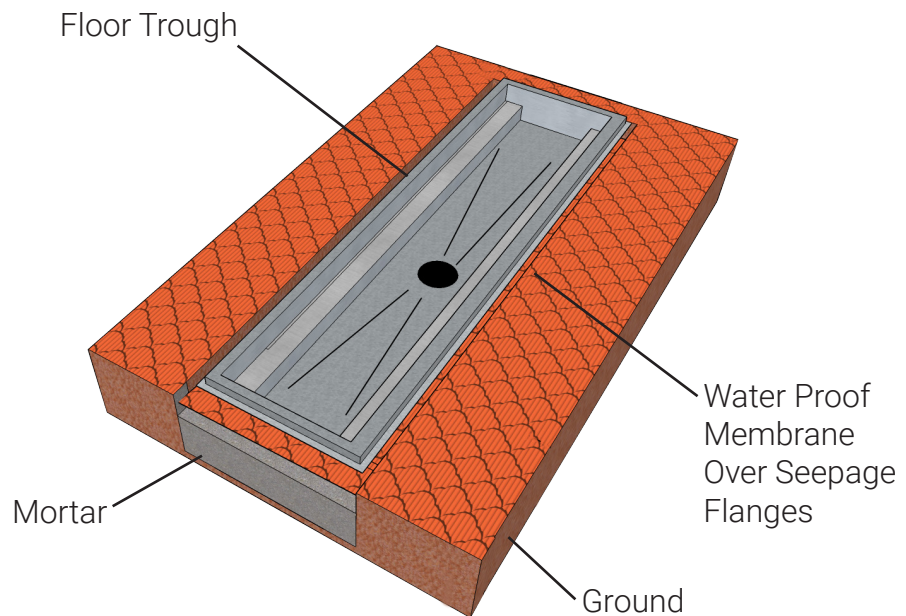
Once the floor trough is set, fill the box out with mortar through the 1" opening to secure the placement of the trough. **Make sure drain is sealed tight.** Only fill the mortar up to the seepage flange. (See image to the right)



### Step 4:

Once cured, proceed to set water proof membrane over seepage flange. Secure in place with adhesive and/or bolted studs provided on flange (when specified).

Once membrane is set, repeat step 3 to fill slab with mortar up to trough top flange. Leave room for thickness of tile/epoxy floor.



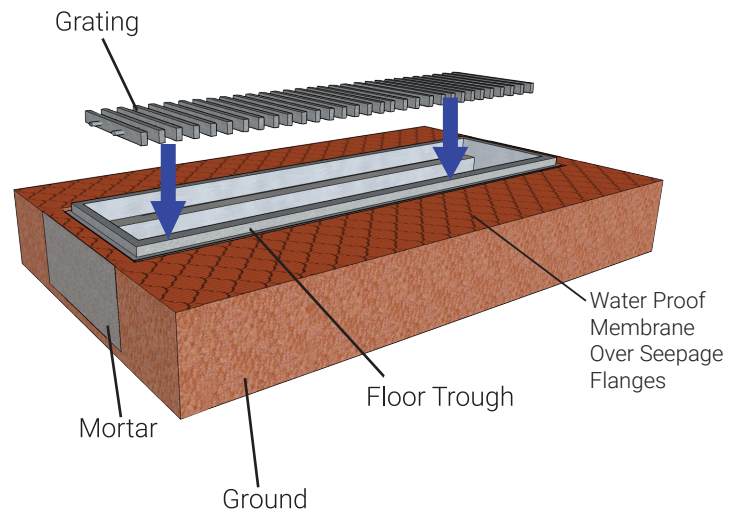
### Step 5:

Set tiles or epoxy floor flush with trough seam as tight as possible. Seal around to prevent liquids from seeping through floor.

### Step 6:

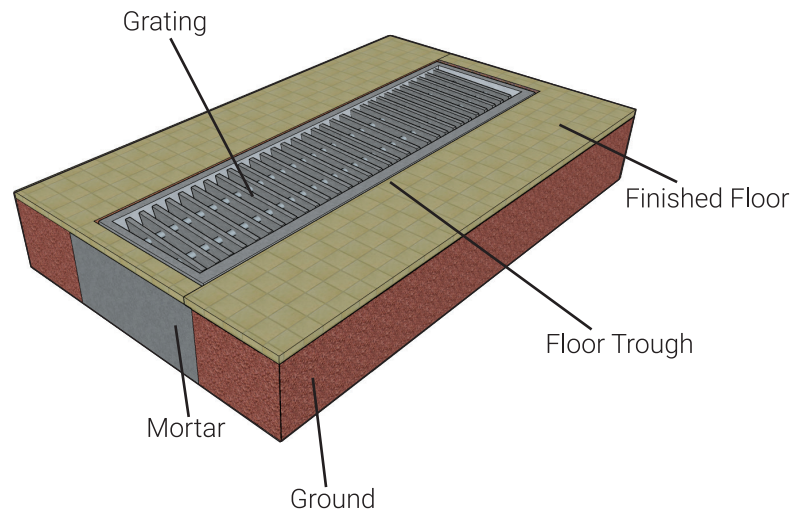
Set strainers over drain opening, then lay grate sections over trough ledge.

The grating should set easily on the lip of the floor trough. Simply place it inside the floor trough. (See image to the right)

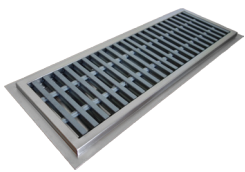


### Step 7:

Finished floor should be flush with the top flange of the floor trough. Finished installation should look like image to the right.



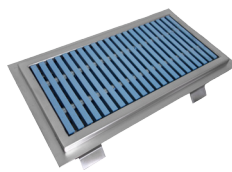
### THESE INSTRUCTIONS APPLY TO ALL FLOOR TROUGH MODELS BELOW:



**CFT**  
16GA, 4" Deep



**FT**  
14GA, 4" Deep



**ASFT**  
14GA, 6" Deep



**SFT**  
14GA, 2" Deep



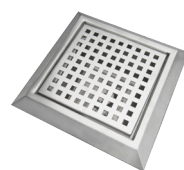
**LFT**  
16GA, 4" Deep



**FWR**  
16GA, 4" Deep



**NWR**  
16GA, 4" Deep



**IDFD**  
16GA, 6½" Deep



**FDSS**  
16GA, 4" Deep

## Warranty:

Product is guaranteed against defect in workmanship and material for a period of one year from date of shipment, provided such defects are do not result from abuse, unreasonable usage or other conditions beyond IMC's control. IMC's liability shall not exceed the cost of material furnished.

## Easy Cleaning Instructions:

Rinsing is the most important part of care. Stainless steel will retain its original bright appearance if the product is rinsed thoroughly after each use. "Thorough" rinsing can be done by running the water throughout the product for a few minutes after each use. Typically, a rinse and towel drying after each use takes care of most everyday cleanups. For everyday cleaning we recommend using Stainless Steel Cleaners + Polishers. The non-abrasive formula is safe and effective for day to day cleaning. Your product will shine like new!

## Recommendations for Proper Maintenance:

Use only a mild liquid dish-washing detergent with a soft sponge to clean and then thoroughly rinse the product. Rinse thoroughly after each use. "Thorough" rinsing can be done by running water for a few minutes and rubbing the cleaned area with a sponge.

Towel dry after each use to prevent mineral deposits from building up on the surface of the product.

•**Do Not** allow liquid soap or other household cleansers to dry on the surface. Most brands contain chemical additives which will affect the original finish.

•**Do Not** use solutions of chlorine bleach and water. Chlorides, which are found in most soaps, detergents, bleaches, and cleansers, are very aggressive to stainless steel. If left on the surface too long they can cause surface pitting.

•**Do Not** use a steel wool pad to clean. Steel wool pads have a tendency to break apart and small particles of steel can become embedded in the surface of the product. The steel particles will rust and will give the appearance that the product itself is rusting.

•**Do Not** use abrasive cleansers or abrasive pads as it will scratch the surface.

•**Do Not** leave wet sponges, cloths, or cleaning pads on the product. This can lead to surface rust. Following these recommendations for the care and cleaning of your stainless steel product will insure that it will provide you with many years of service.

## Chlorides:

Today, chlorides are found in most all soap, detergents, bleaches and cleansers; chlorides can be oppressive to stainless steel. However, chlorides are very water soluble. Therefore, THOROUGH RINSING of your product after each use to remove any chloride residue and a weekly scouring is all that is required to keep your product looking bright and shiny.

## Water Quality:

The quality of your water can affect your product's appearance. If your water has a high iron content, a brown surface stain can form on the product giving the appearance of rust. Additionally, in areas with a high concentration of minerals, or with over-softened water, a white film may develop on the product. To combat these problems, we suggest that the product be towel dried after use.

## Discoloration, Rust and Possible Pitting:

Wet sponges, cloths, cleaning pads and rubber mats left on the product can lead to discoloration. Steel wool pads should never be used to clean your product as they leave small iron particles in the grain lines which rust and can damage the product. Continued usage in this manner may eventually lead to the product itself rusting and pitting.

## Liquid Soap:

Do not allow concentrated liquid detergent to dry on your product. Most brands contain chemical additives which will affect the original finish.

## Spotting:

The quality of your water can affect your product's appearance. In areas with hard water, a brown surface stain can form on the product giving the appearance of rust. This also occurs in water with high iron content. Additionally, in areas with a high concentration of minerals, or with over-softened water, a white film may develop on the product. To combat this problem, we suggest that the product be towel dried after use.

## Foods:

Heavy salt concentration or foods containing high levels of salt should not be allowed to dry onto the surface. Rinse your product thoroughly after use.

For more in-depth maintenance & care guidelines, visit these resources:

[IMC/Teddy Tips](#)

[NAFEM Tips](#)