

 **General Information**

Project Name: _____

Consultant: _____

Item #: _____

Model #: _____

Quantity: _____



 **Specifications**

MH Model Mop Holder is constructed of 18GA type 300 stainless steel. Unit includes mounting flanges & closed ends for black rubber tension grip holder with chrome plated steel base.

MH3 Model is 20" long x 4" high x 1³/₄" deep & features (3) grip holders.

MH4 Model is 26³/₄" long x 4" high x 1³/₄" deep & features (4) grip holders.

MH5 Model is 33¹/₂" long x 4" high x 1³/₄" deep & features (5) grip holders.

 **Product Guide**

IMC Mop Holders are simply the best way to hold your mops. Mount over an IMC Utility Sink or any other desirable space. Spring-activated rubber grips grasp mops securely, making storing & removing easy.

Neatly arrange your mops to maximize & keep your space tidy, an essential item for any commercial facility.

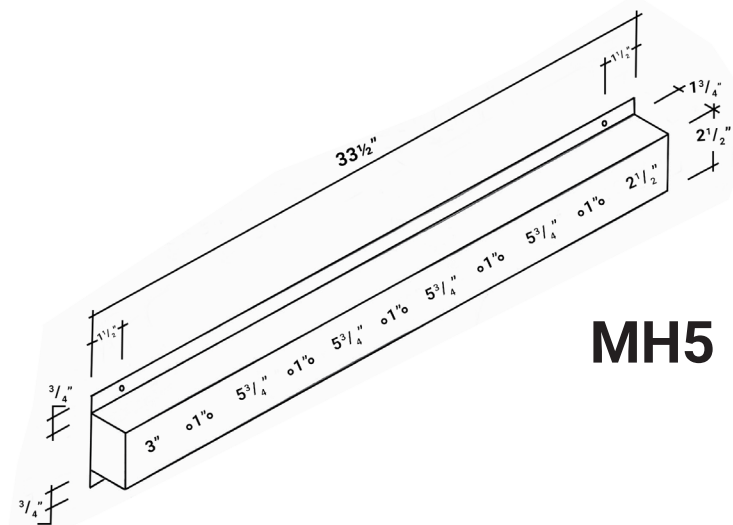
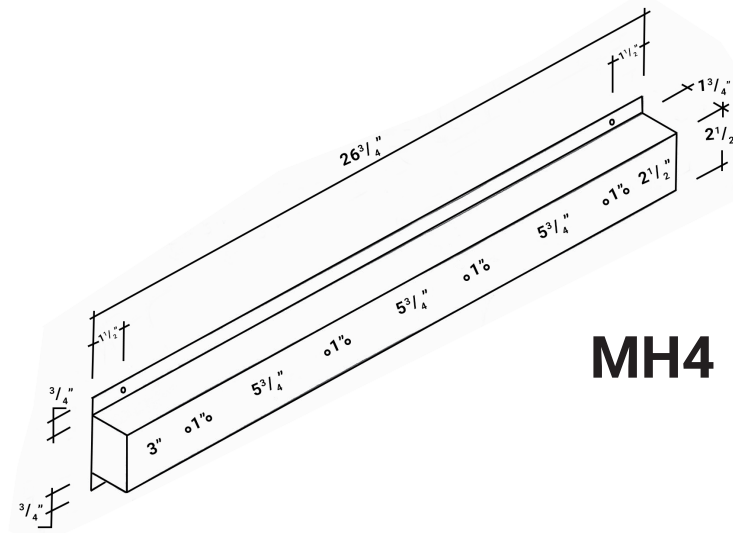
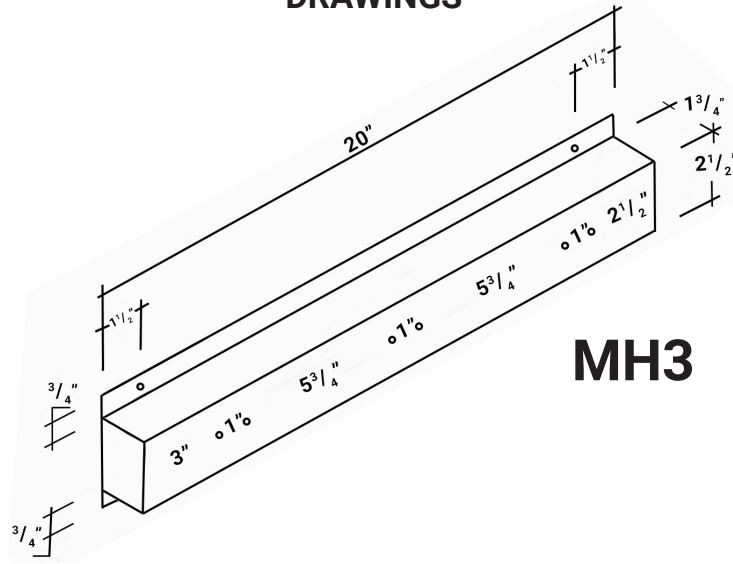
MOP HOLDER

Model	Size (L x H x D)
□ MH3	20" x 4" x 1 ³ / ₄ "
□ MH4	26 ³ / ₄ " x 4" x 1 ³ / ₄ "
□ MH5	33 ¹ / ₂ " x 4" x 1 ³ / ₄ "





DRAWINGS



Specifications subject to change without notice.

MH-30 0920