

 **General Information**

Project Name: _____

Consultant: _____

Item #: _____

Model #: _____

Quantity: _____



Front



Back

Shown with
Optional Caster and
Laminated Panels

 **Specifications**

IBC Model Modular Style Island Base Cabinet is constructed of 14GA Frame, 16GA Top and 18GA End & Rear Panels type 300 series stainless steel.

IBC-F Model Full Body Style Island Base Cabinet is constructed of 16GA Cabinet Body with 16GA Top type 300 series stainless steel.

Standard Cabinet is furnished open front style with a bottom shelf. The cabinet is fully welded and provided with a brushed #4 finish. The Island design allows cabinets to be provided with front and rear storage, pull-out units for garbage cans, pantry type storage and storage for utensils. Cabinets are mounted on 6" legs with adjustable feet. Adjustable shelves are included.

 **Product Guide**

IMC Cabinets provide flexibility in designing storage space in the facility. Heavy duty rugged design. Add locks for security.

Cabinets may be provided in a variety of standard and non-standard sizes.

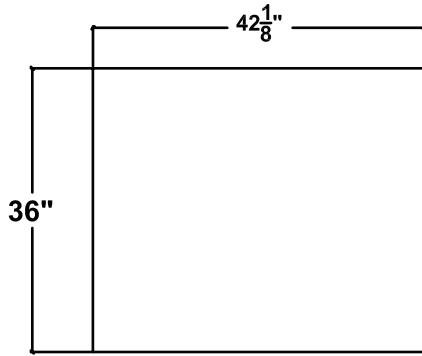
 **Options**

- ALB** - Adjustable Legs w/ Bullet Feet
- BF-40** - Bullet Feet (Each)
- DRL** - Door Lock
- LDS** - Drawer
- EXSH** - Extra Shelf (Each)
- HGDG** - Glass Hinged Doors
- HGDS** - Hinged Doors (Each)
- KEY** - Replacement Keys
- SPS** - Slide Out Pantry Storage
- SWC** - Slide Out Waste Cans
- SLD** - Sliding Doors (Each)

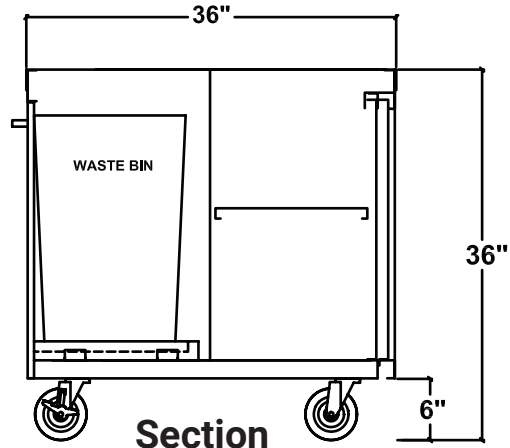




DRAWINGS

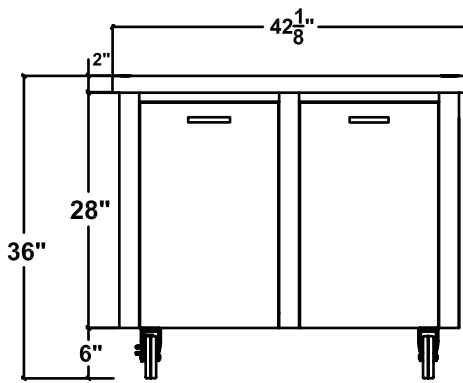


Plan

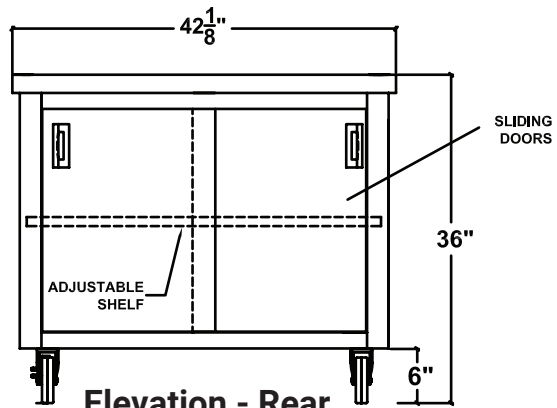


Section

OPTIONAL



Elevation - Front



Elevation - Rear

ISLAND BASE CABINET

Model	Size (W x L x H)
□ IBC	36" x 42 1/8" x 36"

Specifications subject to change without notice.

IBC-40 0919