

General Information

Project Name: _____

Consultant: _____

Item #: _____

Model #: _____

Quantity: _____



Picture Shown
with Optional
Legs

Specifications

WSMS Multi-Station Wash Sink is constructed of 16GA stainless steel type 300 series, fully welded with 1½" roll front and sides.

Backsplash is 10" high to accommodate optional faucets and soap dispensers as required. Wall mounting "Z" clips are included with unit. Additionally 12GA stainless steel brackets, at each end, are welded to the bottom of the sink to attach with ¼" screws to the wall.

Gooseneck Faucet included with unit. Soap Dispenser is not included.

Product Guide

IMC Hand Sinks are easily cleanable without the use of tools. All corners are coved, and all seams are fully welded and polished.

High backsplash provides space for a variety of faucets and soap dispensers. Backsplash also, protects wall and keeps sink sanitary.

Optional Adjustable Tubular Legs converts wall unit to a free-standing unit.

Options

- SS** - Side Splashes (Pair)
- TLG** - Adjustable Tubular Legs
- TL-60** - Tubular Legs up to 60" Sink
- TL-98** - Tubular Legs up to 98" Sink
- TWB** - Tubular Wall Brackets
- RSOD** - Rear Sink Overflow Drain
- WESD** - Electronic Soap Dispenser
- MV** - Mixing Valve
- FBO** - Faucet by Others
- CBW** - Custom Bowl Size

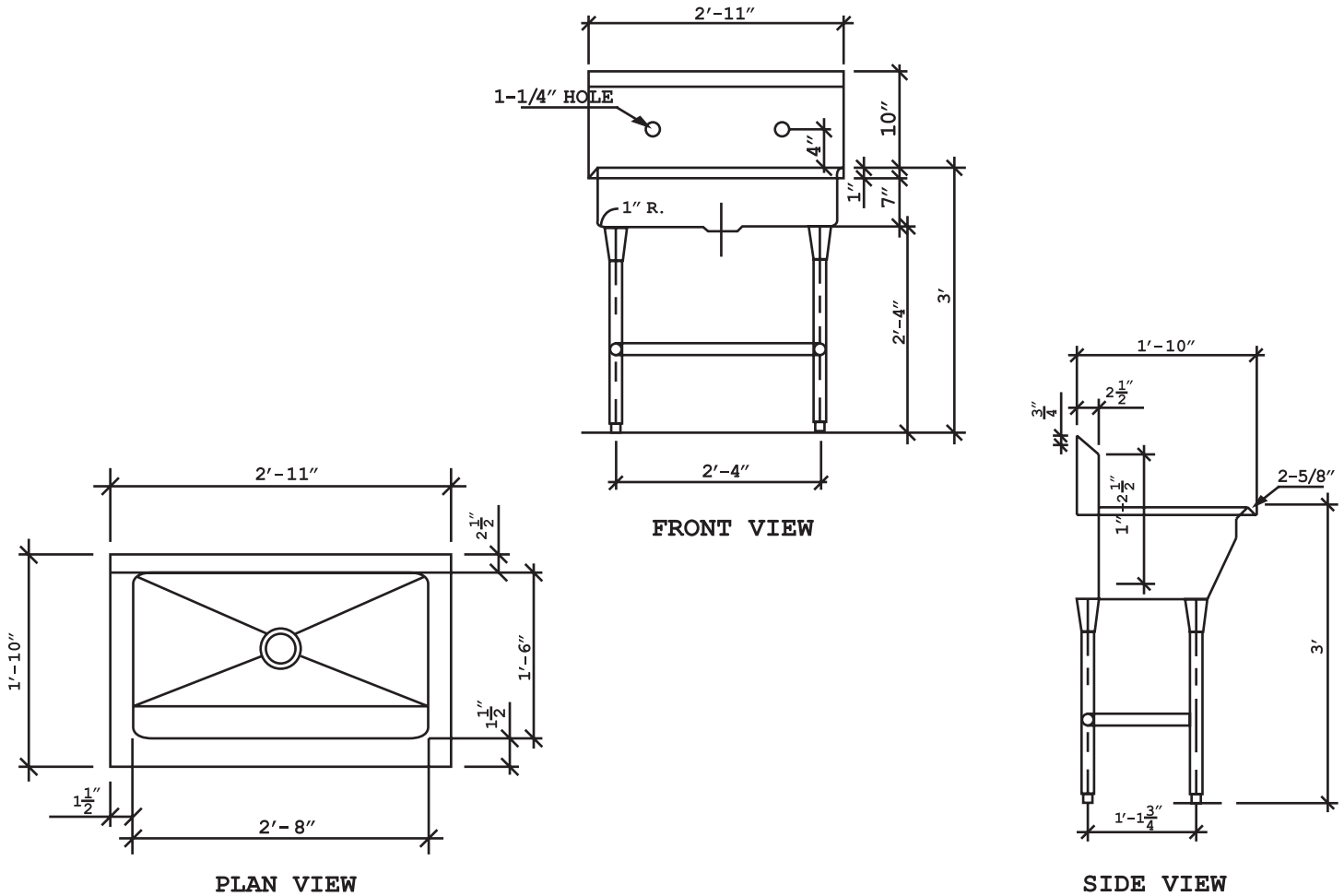
MULTI-STATION HAND SINK

Model	Bowl Size (W x L x D)	Overall Size (W x L x H)
<input type="checkbox"/> WSMS-2-48	48" x 18" x 7"	51" x 22" x 17"
<input type="checkbox"/> WSMS-2-60	60" x 18" x 7"	63" x 22" x 17"
<input type="checkbox"/> WSMS-3-74	74" x 18" x 7"	77" x 22" x 17"
<input type="checkbox"/> WSMS-4-98	98" x 18" x 7"	101" x 22" x 17"



WSMS-90 0823

DRAWINGS



ACCESSORIES

(See Price Book Pg. 66-68)



Specifications subject to change without notice.

WSMS-90 0823