

 **General Information**

Project Name: _____

Consultant: _____

Item #: _____

Model #: _____

Quantity: _____



 **Specifications**

DBC Dish Cabinet is made of 16GA type 300 series stainless steel top with 18GA stainless steel body and undershelves.

Standard models are 36" high with an open front.

 **Product Guide**

IMC Dish Cabinets offer a unique open front design combined with a flat top to make it the perfect place to store your wares.

They offer up a safe & clean place to store your most precious items while also providing extra work space.

 **Options**

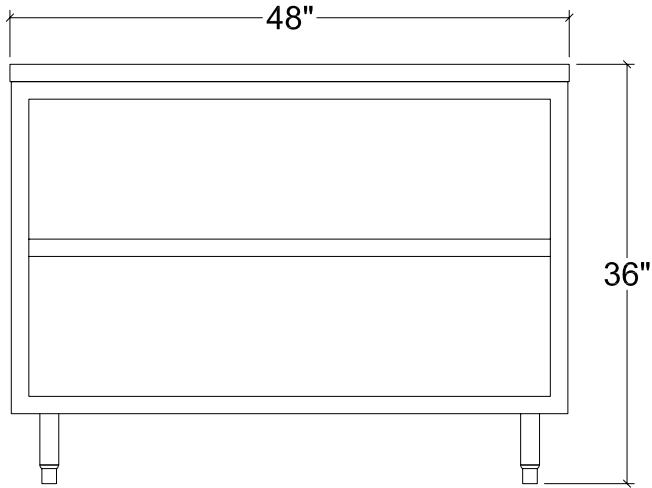
DISH CABINET

Model	Size (W x L)	Model	Size (W x L)
<input type="checkbox"/> DBC-1536	15" x 36"	<input type="checkbox"/> DBC-1836	18" x 36"
<input type="checkbox"/> DBC-1548	15" x 48"	<input type="checkbox"/> DBC-1848	18" x 48"
<input type="checkbox"/> DBC-1560	15" x 60"	<input type="checkbox"/> DBC-1860	18" x 60"
<input type="checkbox"/> DBC-1572	15" x 72"	<input type="checkbox"/> DBC-1872	18" x 72"
<input type="checkbox"/> DBC-1584	15" x 84"	<input type="checkbox"/> DBC-1884	18" x 84"
<input type="checkbox"/> DBC-1596	15" x 96"	<input type="checkbox"/> DBC-1896	18" x 96"
<input type="checkbox"/> DBC-15108	15" x 108"	<input type="checkbox"/> DBC-18108	18" x 108"
<input type="checkbox"/> DBC-15120	15" x 120"	<input type="checkbox"/> DBC-18120	18" x 120"
<input type="checkbox"/> DBC-15144	15" x 144"	<input type="checkbox"/> DBC-18144	18" x 144"

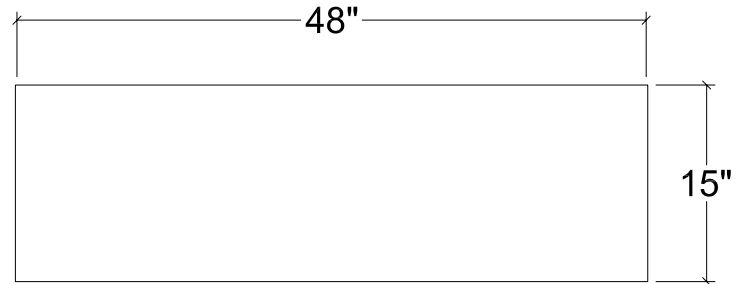


DBC-40 0222

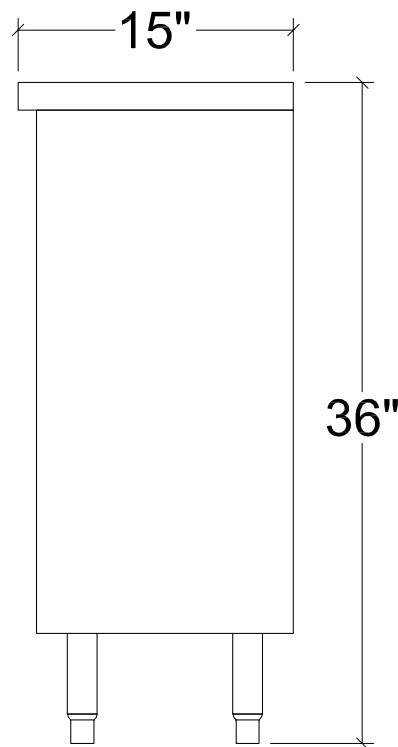
DRAWINGS



ELEVATION



PLAN



SIDE ELEVATION

Specifications subject to change without notice.

DBC-40 0222