

General Information

Project Name: _____

Consultant: _____

Item #: _____

Model #: _____

Quantity: _____



Specifications

PRT Three Bar Table Mounted Pot Rack is constructed of 12GA 2" x 3/16" stainless steel type 300 series, 18/8, Flat Bar.

Pot hooks supplied to be stainless steel, sliding type and spaced 9" apart. Center support supplied on units over 6' long.

Uprights are 1 5/8" diameter 16GA stainless steel tubing welded to pot rack and attached to the outside ends of table top.

Product Guide

IMC Pot Racks are simply the best way to display and store your fine cookware, utensils or decorative items. Mounts on to table and accommodates all kitchens. Mount over the stove-top, sink, island, or any other desirable space in your kitchen.

Maximize space with as it neatly allows you to arrange your cookware to prevent stacking damage, an essential rack for any kitchen.

Options

- BU** - 1/4" Bar in Lieu of 3/16"
- GA-16** - 16GA Upgrade
- PTH** - Additional Stainless Steel Pot Hooks (Each)
- LVS** - Louvered Shelves
- PVL** - Provision for Lamps (Each)
- TMW** - Table Mounted WMS
- Welded S/S Pot Hooks



DRAWINGS

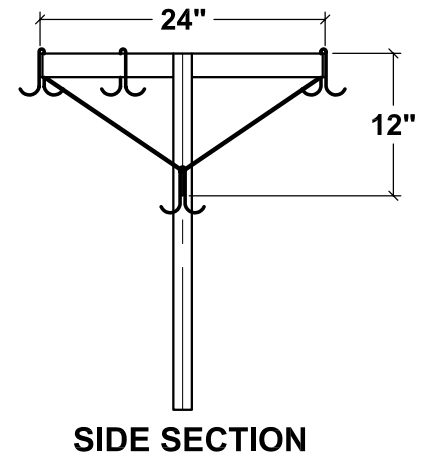
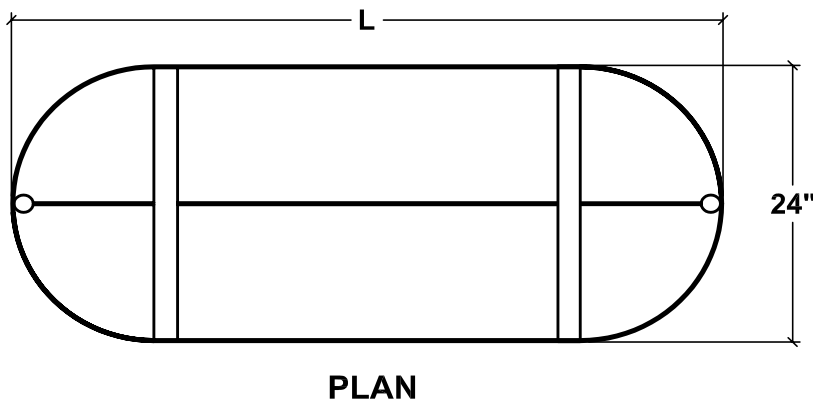
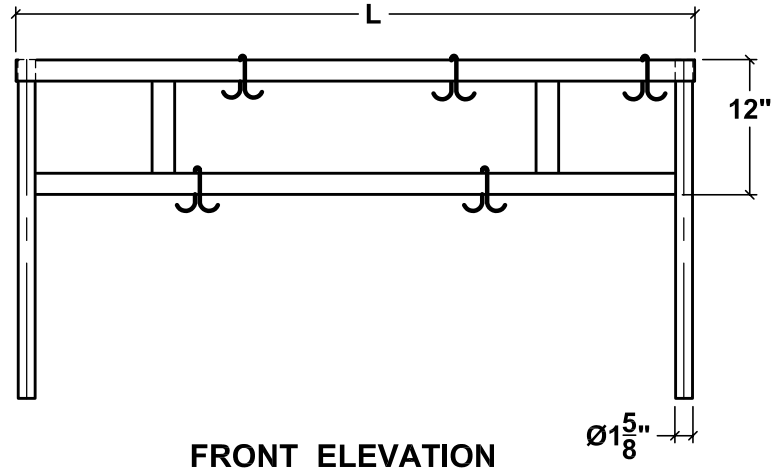


TABLE MOUNTED POT RACK

Model #	Size (W x L)	Weight
□ PRT-3-2436	24" x 36"	70 lbs
□ PRT-3-2448	24" x 48"	90 lbs
□ PRT-3-2460	24" x 60"	110 lbs
□ PRT-3-2472	24" x 72"	130 lbs
□ PRT-3-2484	24" x 84"	150 lbs
□ PRT-3-2496	24" x 96"	170 lbs
□ PRT-3-24108	24" x 108"	190 lbs
□ PRT-3-24120	24" x 120"	210 lbs
□ PRT-3-24132	24" x 132"	230 lbs
□ PRT-3-24144	24" x 144"	250 lbs

Specifications subject to change without notice.

PRT-60 0421