

General Information

Project Name: _____

Consultant: _____

Item #: _____

Model #: _____

Quantity: _____



Specifications

Utility Sinks are constructed of 16GA type 300 series stainless steel, with integrated full-height apron and built in pitch to 4" OD waste outlet with strainer

FS Model Standard Service/Utility Sink with a 18" x 24" x 7" deep coved corner sink bowl.

IMC Utility Sinks are easily cleanable without the use of tools. All corners are coved, and all seams are fully welded and polished.

Rugged type 304, 18-8 stainless steel construction, engineered to stand up under day-in and day-out abuse.

Options

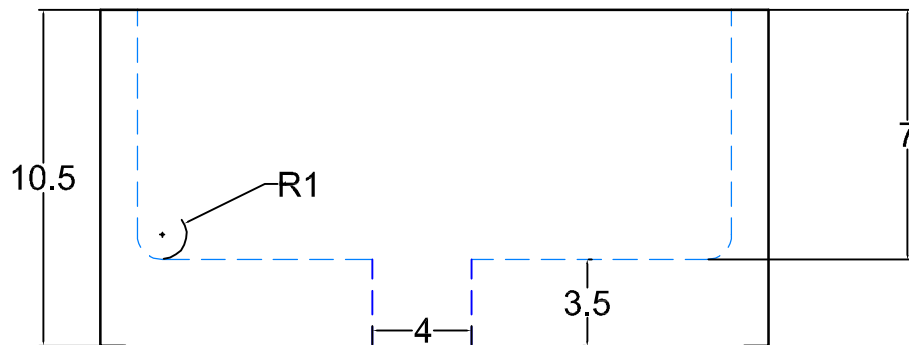
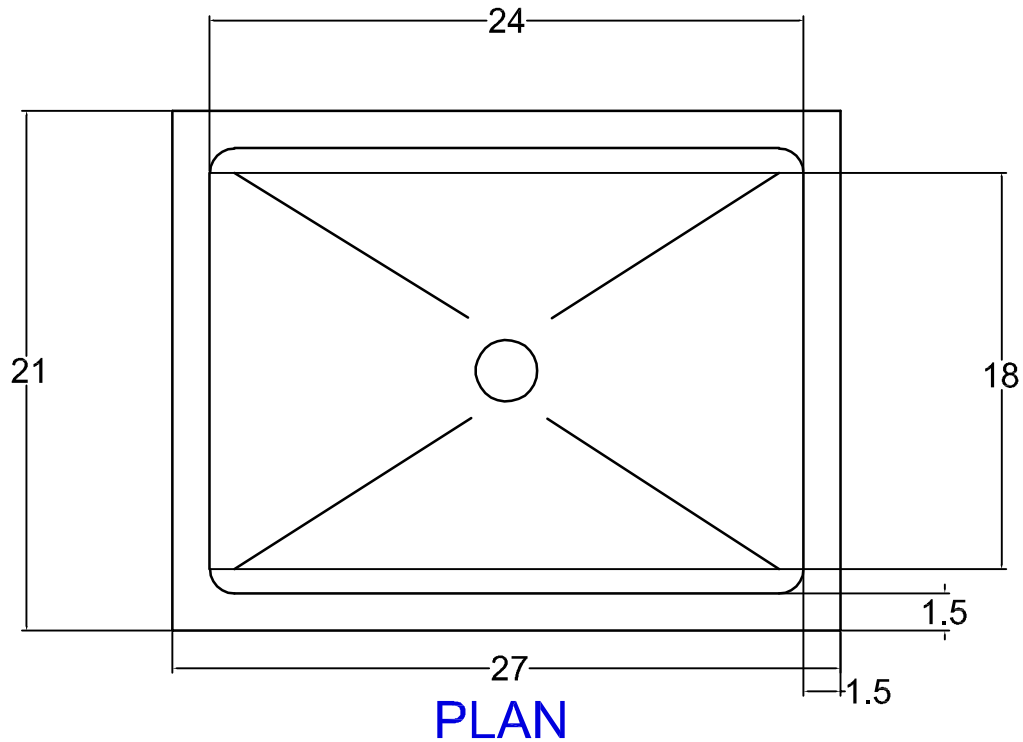
- SSF** - Wall Faucet
- HA** - 36" Hose
- MH3** - Mop Holder (3)
- MH4** - Mop Holder (4)
- LH6** - 6" High Legs
- IPS2** - 2" IPS Drain
- BW-36** - Custom Bowl up to 36" x 36"
- FL48** - 48" High Flashing at Rear or Side
- FL48-W** - Welded 48" High Flashing on 3 Sides
- RSS8** - Rear & Side Splash 8" High
- USH24** - 24" Utility Shelf
- USH36** - 36" Utility Shelf
- MSR** - Lint Bucket (Mesh Strainer)
- FF-50** - S/S Flanged Feet (Each)
- SEC** - Correctional Package



FS-10 0719



DRAWINGS



FRONT ELEVATION

Specifications subject to change without notice.

FS-10 0719