

 **General Information**

Project Name: \_\_\_\_\_

Consultant: \_\_\_\_\_

Item #: \_\_\_\_\_

Model #: \_\_\_\_\_

Quantity: \_\_\_\_\_



 **Specifications**

**WS** Wall Mounted Hand Sink is constructed of 16GA type 300 series stainless steel, with a tall backsplash and non-drip marine edges, coved corner sink bowl and built-in pitch to 1½" waste outlet.

Stainless steel front apron with rear flange and "Z" strip provide attachment to wall. Deck mounted soap dispenser has 1-pint capacity. Faucet to be T&S #B-1105, or equal, splash-mounted, with rigid gooseneck and wrist-action handles.

**WS-X Model** - same as above without faucet and soap dispenser. Faucet hole can be provided.

 **Product Guide**

IMC Hand Sinks are easily cleanable without the use of tools. All corners are coved, and all seams are fully welded and polished.

Large oversize deck provides space for faucet, soap dispenser and integral towel dispenser.

High backsplash protects wall and keeps sink sanitary. Large integral apron conceals all plumbing.

Versatile design permits the use of large variety of plumbing options and accessories.

 **Options**

- SS** - Side Splashes (Pair)
- TLG** - Adjustable Tubular Legs
- TWB** - Tubular Wall Brackets
- RSOD** - Rear Sink Overflow Drain
- CBW** - Custom Bowl Size

**WALL HAND SINK - WS**

Sink Only Models	Faucet Mounting	Sink w/ Faucet Models	Overall Size
<input type="checkbox"/> WS-1DX	1 Hole Deck	<input type="checkbox"/> WS-1D	20½" x 19¼" x 29¼"
<input type="checkbox"/> WS-1SX	1 Hole Splash	<input type="checkbox"/> WS-1S	20½" x 19¼" x 29¼"
<input type="checkbox"/> WS-2DX	4" OC Deck	<input type="checkbox"/> WS-2D	20½" x 19¼" x 29¼"
<input type="checkbox"/> WS-2SX	4" OC Splash	<input type="checkbox"/> WS-2S	20½" x 19¼" x 29¼"

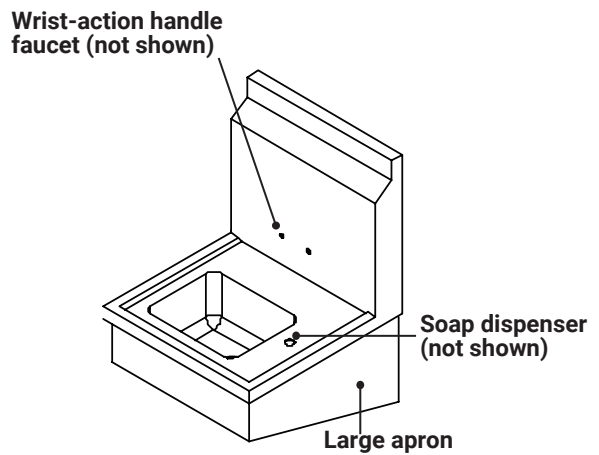
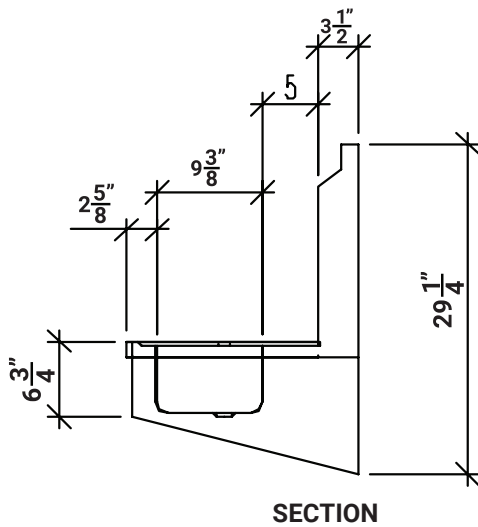
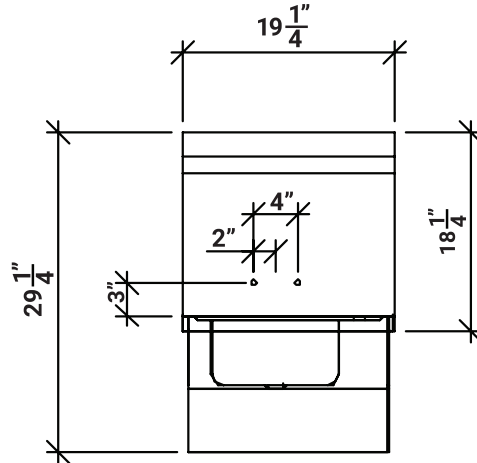
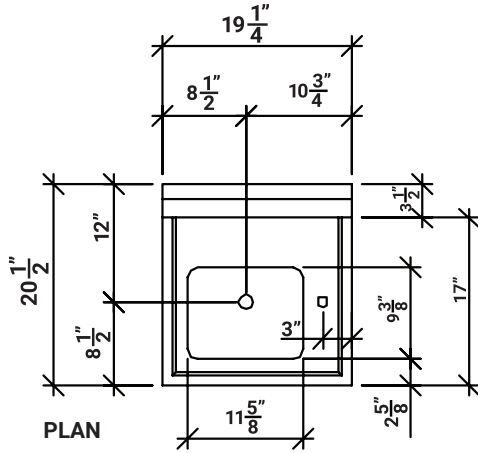
\*Includes soap dispenser



WS-80 0823



**DRAWINGS**



**ACCESSORIES**

(See Price Book Pg. 66-68)



Specifications subject to change without notice.

WS-80 0823