

## General Information

Project Name: \_\_\_\_\_

Consultant: \_\_\_\_\_

Item #: \_\_\_\_\_

Model #: \_\_\_\_\_

Quantity: \_\_\_\_\_



## Specifications

**FS-L** Model is a standard duty "left corner" utility sink with a 18" x 24" x 7" deep bowl & angled corner.

Utility Sinks are constructed of 16GA type 300 series stainless steel, with integrated full-height apron and built in pitch to 4" OD waste outlet with strainer.

## Product Guide

IMC Utility Sinks are easily cleanable without the use of tools. All corners are coved, and all seams are fully welded and polished.

Rugged type 304, 18-8 stainless steel construction, engineered to stand up under day-in and day-out abuse.

## Options

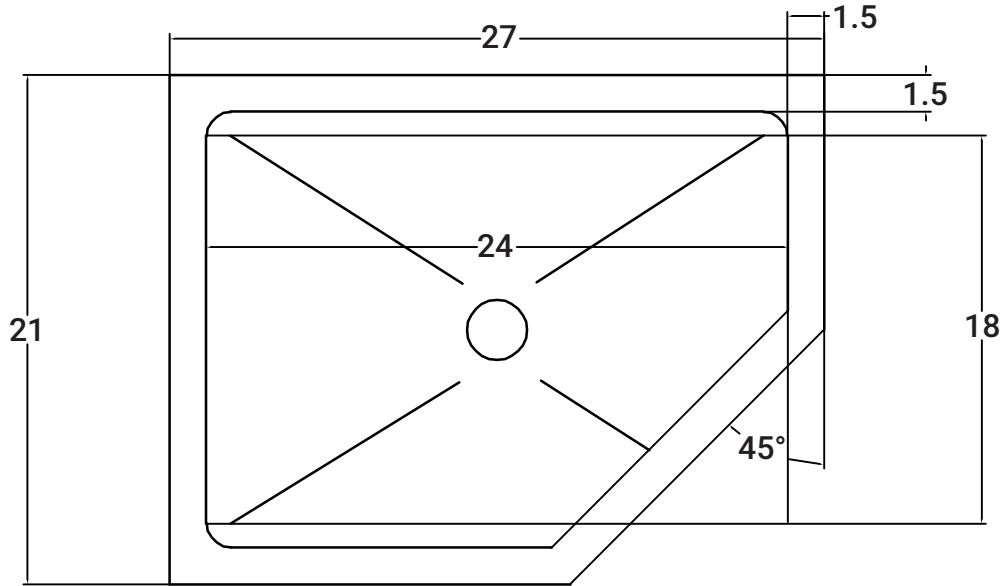
- SSF** - Wall Faucet
- HA** - 36" Hose
- MH3** - Mop Holder (3)
- MH4** - Mop Holder (4)
- MH5** - Mop Holder (5)
- LH6** - 6" High Legs
- IPS2** - 2" IPS Drain
- BW-36** - Custom Bowl up to 36" x 36"
- FL48** - 48" High Flashing at Rear or Side
- FL48-W** - Welded 48" High Flashing on 3 Sides
- RSS8** - Rear & Side Splash 8" High
- USH24** - 24" Utility Shelf
- USH36** - 36" Utility Shelf
- MSR** - Lint Bucket (Mesh Strainer)
- FF-50** - S/S Flanged Feet (Each)
- SEC** - Correctional Package



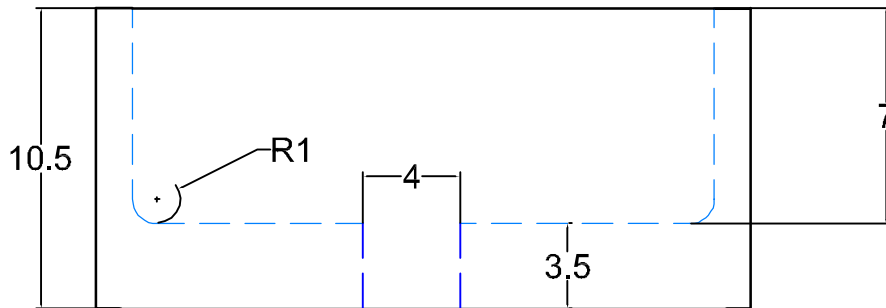
FS-L-20 0919



### DRAWINGS



### PLAN



### FRONT ELEVATION

#### LEFT CORNER FLOOR SINK

Model	Bowl Size (W x L x H)	Overall Size (W x L x H)
□ FS-L	24" x 18" x 7"	21" x 27" x 10½"

Specifications subject to change without notice.

FS-L-20 0919