

General Information

Project Name: _____

Consultant: _____

Item #: _____

Model #: _____

Quantity: _____



Model #IHST-2DX



Model #IHST-2D
Shown Installed
in Worktable

Specifications

IHST Series Integral Hand Sink w/ Towel Dispenser is constructed of 16GA type 300 series S/S top & sink bowl with "V" nose (non-drip marine edge) on front of sink.

Sink bowl is 24.13cm x 29.21cm x 12.7cm deep w/ 2.54cm covered corners & pitched to a 3.81cm waste outlet.

18GA S/S front apron has built-in towel dispenser, which accommodates 24.13cm multi-fold towels.

1.27cm lip on 3 sides of sink makes it easy to weld into worktables (76.2cm L or longer worktable & cutout size required) or can be used as a drop-in.

IHST-2D model includes deck mounted faucet & 1-pint capacity soap dispenser.

IHST-2DX model is the same as above, but without faucet & soap dispenser. Faucet can be provided.

Overall size of sink is 44.45cm x 45.72cm x 35.56cm. Sink is polished smooth to a #4 brushed satin finish.

Product Guide

Integral Hand Sinks are dual designed for Institutional and Commercial applications. Ideally used as a drop-in type sink with the added benefit of a built-in towel dispenser.

Options are designed to make the sink suitable for a variety of locations throughout the facility, such as prep areas, administrative, receiving and shipping and public areas.

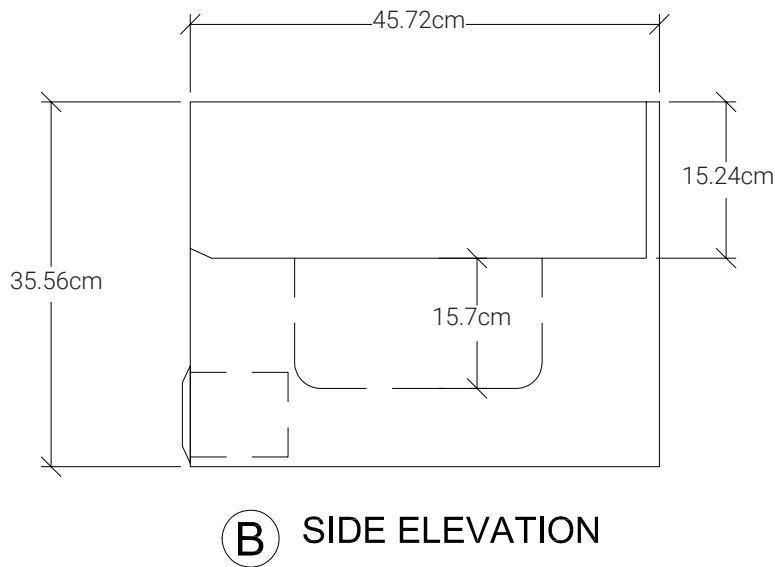
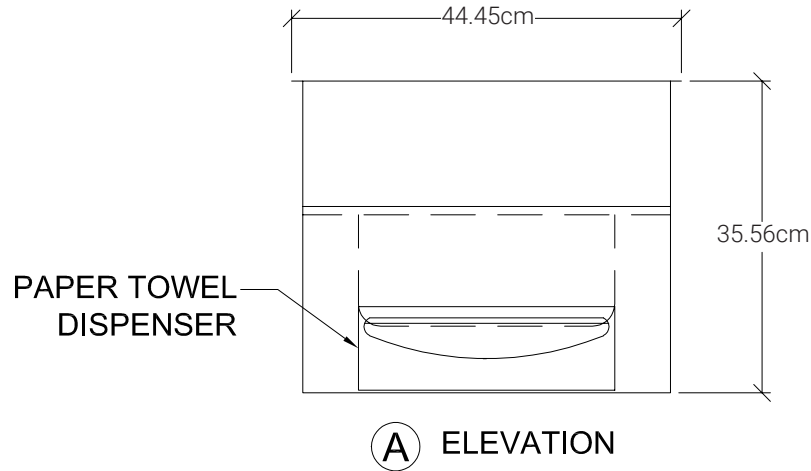
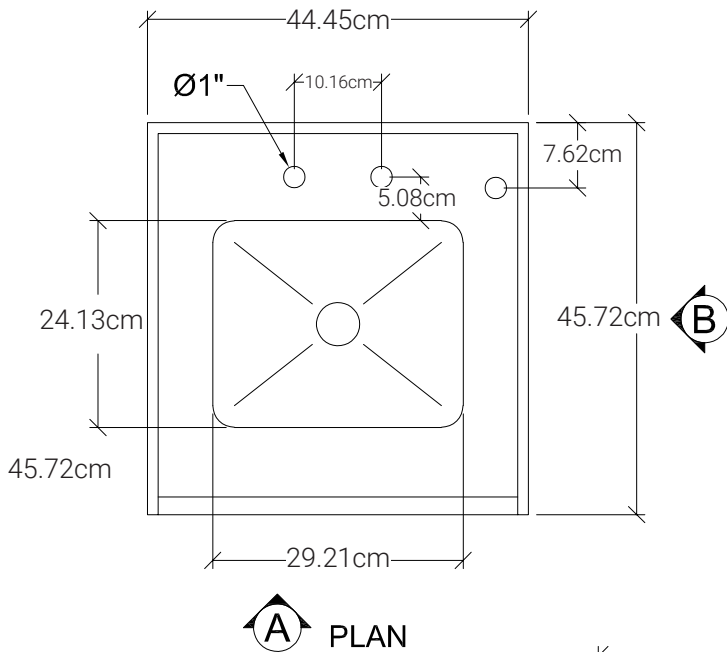
Options

- T** - "P" Trap
- Electronic Deck or Splash Mounted Faucets (see price book pg. 66)
- ESD** - Electronic Deck Mounted Soap
- SD** - Integral Deck Mounted Soap Dispenser
- LDO-2** - Lever Drain w/ Overflow
- EW-S** - Faucet Mounted Eye Wash Station
- FPV** - Heavy Duty Foot Pedal Valve & Gooseneck Spout
- KNV** - Heavy Duty Double Knee Valve & Gooseneck Spout
- Custom Sizes Available



IHST-10 0123

DRAWINGS



INTEGRAL HAND SINK W/ TOWEL DISPENSER

Sink Only Models*	Faucet Mounting	Sink w/ Faucet Models*	Overall Size
□ IHST-2DX	2 Hole Deck	□ IHST-2D	44.45cm x 45.72cm x 35.56cm
□ IHST-2SX	2 Hole Splash	□ IHST-2S	44.45cm x 45.72cm x 35.56cm
□ IHST-1DX	1 Hole Deck	□ IHST-1D	44.45cm x 45.72cm x 35.56cm
□ IHST-1SX	1 Hole Splash	□ IHST-1S	44.45cm x 45.72cm x 35.56cm

*Includes Towel Dispenser

**To order worktable with IHST, see price book pg. 92-95

Specifications subject to change without notice.

IHST-10 0123