

### General Information

Project Name: \_\_\_\_\_

Consultant: \_\_\_\_\_

Item #: \_\_\_\_\_

Model #: \_\_\_\_\_

Quantity: \_\_\_\_\_



Shown with  
SG Banded Grating  
(Banded Grating  
Runs Lengthwise)



### Specifications

**NWR** Model Floor Water Receptacles are 16GA type 300 series stainless steel one-piece construction. Horizontal corners and the trough is creased toward a waste outlet with a stainless steel beehive strainer and a 3" OD tail-piece.

Recessed flange and 1" deep ledge for IMC grating are integral with the unit. Unit is 6" wide and 4" deep.

Joints are TIG welded and leak-proof. Exposed surfaces finished brush satin.

NWR banded grating runs lengthwise.

### Product Guide

Use for Commercial and Institutional Buildings or large food prep facilities.

Unit is generally used underneath Ice Machines or in front of walk-ins or large water discharge areas, in tight spaces.

Flexible design such as custom depths make this a versatile drain trough.

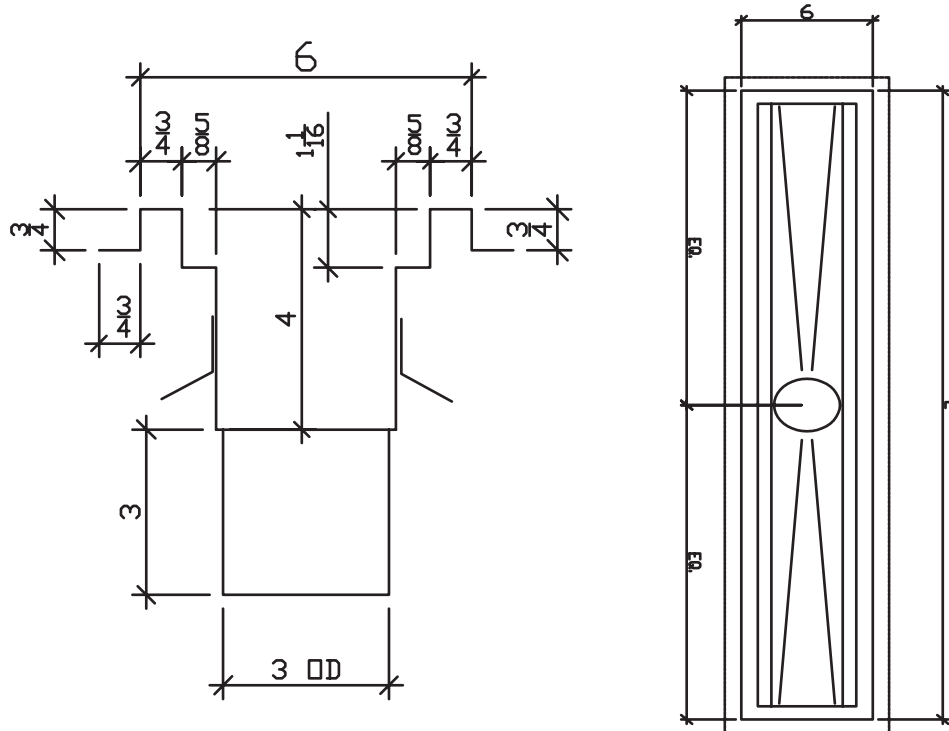
Recessed flange supports floor tile and provides a grout pocket.

Setting frame for waterproof membrane and/or integral seepage flange with "weep" holes can be added for wet floor areas.

### Options\*

- DOD** - 1" or 2" OD Tube (circle one)
- WTO** - Waste Tube over 3" Long
- AW** - Additional Wastes
- WCP** - Waste Cup Strainers
- BH** - Beehive Strainers (Each)
- OCW** - Off Center Waste (Each)
- ST12** - Scrap Tray Up to 18" Wide
- PWT** - Perforated Waste Pipe
- SF-2** - Special Size Setting Flange 2" Deep
- SF-4** - Special Size Setting Flange 2" to 4" Deep
- FSG** - Seepage Flange w/ Weep Holes
- ST20** - Scrap Tray 20" Long
- DSE** - Drain on the End
- ROD** - Rim on Drain
- BSPC** - Basket Strainer w/ Handle & Chain
- BXD** - Box Type Drain
- BSX** - Beehive Strainer for Box Drain
- GA-12** - 12GA Upgrade
- SG-PR** - Perforated Grating

### DRAWINGS



#### 6" FLOOR WATER RECEPTACLES

Model	Size (W x L)
□ NWR-24	6" x 24"
□ NWR-30	6" x 30"
□ NWR-36	6" x 36"
□ NWR-48	6" x 48"
□ NWR-60	6" x 60"
□ NWR-72	6" x 72"
□ NWR-84	6" x 84"
□ NWR-96	6" x 96"
□ NWR-108	6" x 108"
□ NWR-120	6" x 120"

Note - Standard troughs up to 96" have one (1) waste at center. Over 96", troughs have two (2) wastes equidistant.

Specifications subject to change without notice.

NWR-013 0923