

### General Information

Project Name: \_\_\_\_\_

Consultant: \_\_\_\_\_

Item #: \_\_\_\_\_

Model #: \_\_\_\_\_

Quantity: \_\_\_\_\_



Model TSCCL-30

### Specifications

**Top:** 16GA stainless steel type 300 series with 2" channel edge, all corners welded, ground and polished. S/S channel bracing provided as necessary.

**Frame:** 14GA Stainless steel multi-formed, fully welded vertical corner uprights.

**Apron:** 18GA stainless steel, 10" apron welded to framework.

**Casters:** 5" Heavy Duty ball bearing swivel casters, (2) with brakes.

**Interlocking Device:** As required, quick release latches are provided to join units together.

**Silverware Holder:** 18GA stainless steel all welded silverware enclosure. Provisions for silverware cylinders. Unit is secured to top.

**Tray Dispenser:** All stainless steel with a self leveling coil spring suspension system. Dispensing height is adjustable with the use of spring disengagement.

### Product Guide

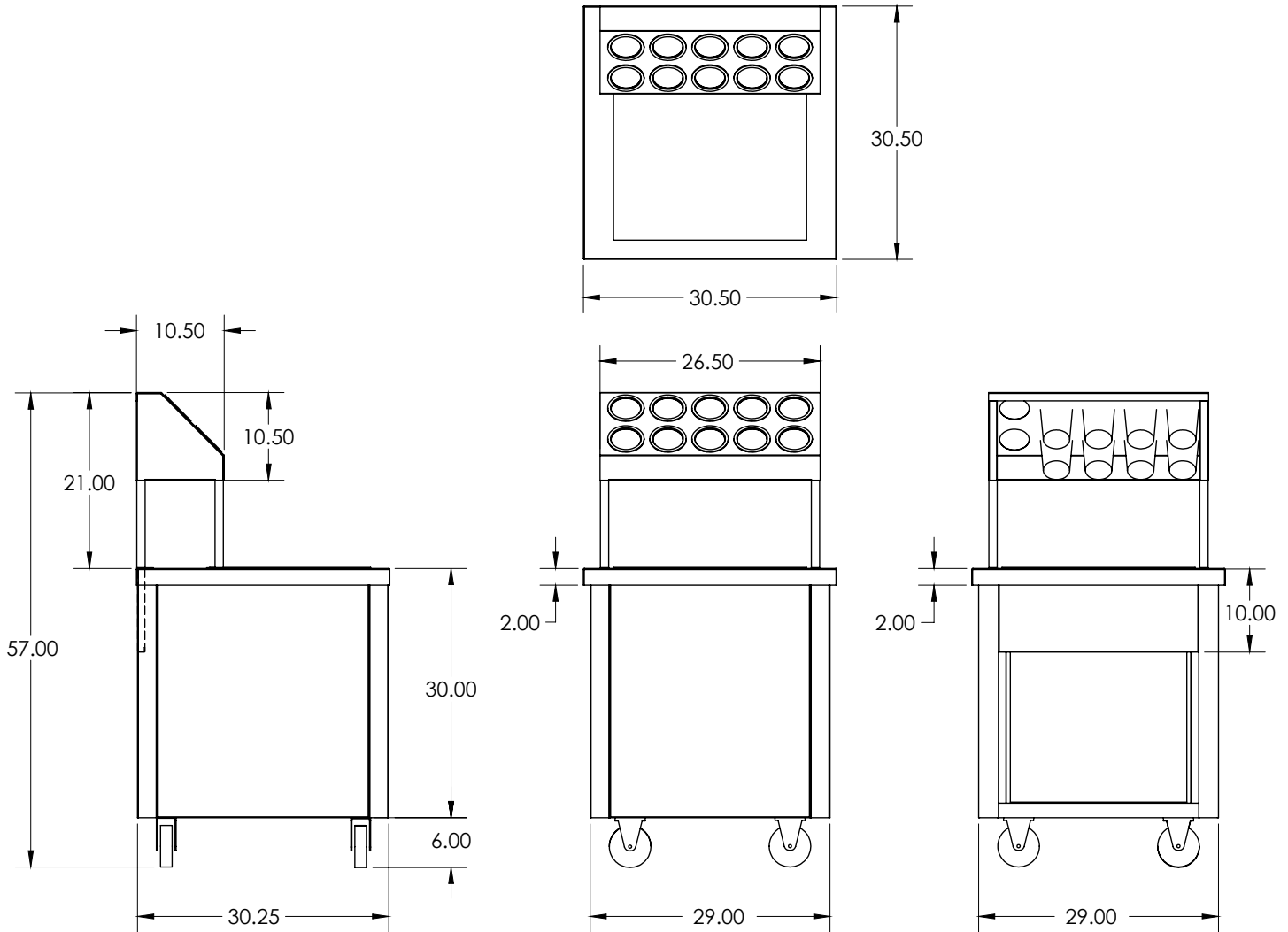
Modular Tray & Silverware Counters with Lowerator featured with a heavy duty solid top. These sturdy units are designed for long lasting service. Units are provided with interlocking devices for quick and easy assembly and disconnecting.

### Options

- Tray Slide (Solid) - 12" Wide
- Tray Slide (Three Bar) - 12" Wide
- Display Case (2-Tier)
- Protector Case
- Single Service Sneeze Guards
- Double Service Sneeze Guard
- Fluorescent Light
- Work Shelf
- Work Shelf w/ Poly Top
- Plate Shelf
- Full Front Panel (Laminate)
- Full End Panel (Laminate)
- Intermediate Undershelf
- Convenience Outlets - \_\_\_\_ (ea.)
- 14GA Top Upgrade
- Backsplash (6" High)
- Return Splash (6" High R/L)
- Laminate Doors
- Kick Base - Stainless Steel
- Correctional Package
- Sink - specify size: \_\_\_\_\_
- Lever Drain
- Legs w/ Bullet Feet
- Doors - Stainless Steel
- Lever Drain w/ Overflow
- Receptacle Bracket - \_\_\_\_ (ea.)
- Drawer(s) - \_\_\_\_ (ea.)
- Sound Deadended Top
- Infrared Heat Lamp TSCCL-60 1221



## DRAWINGS



### TRAY AND SILVERWARE COUNTER WITH LOWERATOR

Model	Size (W x L x H)	Description
□ TSCL-30	30½" x 30½" x 57"	10 Cylinders

### RECOMMENDED COUNTER HEIGHT FOR SCHOOLS

- HIGH SCHOOL - STANDARD HEIGHT: 36" COUNTER HEIGHT - 34" TRAY SLIDE HEIGHT
- INTERMEDIATE SCHOOL: 34" COUNTER HEIGHT - 32" TRAY SLIDE HEIGHT
- ELEMENTARY SCHOOL: 32" COUNTER HEIGHT - 30" TRAY SLIDE HEIGHT

Specifications subject to change without notice.

TSCL-60 1221