

## General Information

Project Name: \_\_\_\_\_

Consultant: \_\_\_\_\_

Item #: \_\_\_\_\_

Model #: \_\_\_\_\_

Quantity: \_\_\_\_\_



OC-CWG Model Shown  
w/ Glass Hinged Doors

## Specifications

**OC-CW** Model Corner Wall Cabinet is constructed of 18GA type 300 series stainless steel body and door. Cabinets are fully welded and brushed to a #4 finish. Standard open front with bottom.

Interior fitted with one (1) 18GA stainless steel fixed intermediate shelf. Optional hinged doors are 18GA stainless steel with pull handles and food grade hinges. Adjustable shelves are available.

Sloped top not available on corner wall cabinets.

## Product Guide

IMC Cabinets provide flexibility in designing storage space in the facility. Heavy duty rugged design. Add locks for security.

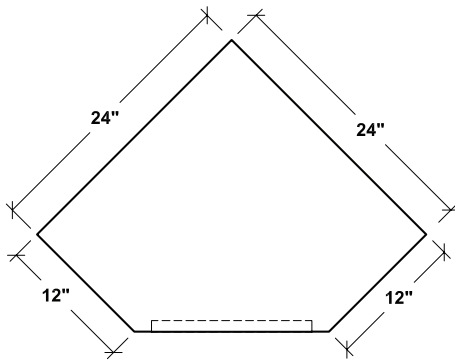
Corner cabinets are designed to provide efficient storage space for the proper utilization of wall surfaces and corners. They are installed with minimum 1/4" screws into a studded wall or using wood blocks. Optional sizes and accessories are offered.

## Options

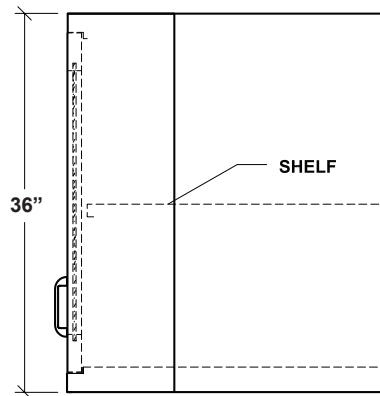
- DRL** - Door Lock
- EXSH** - Extra Shelf (Only Available at Time of Order)
- CHE** - Concealed Hinge/Euro Style Door (Each)
- KEY** - Replacement Keys



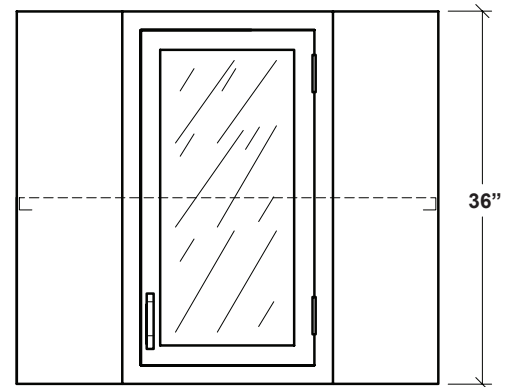
## DRAWINGS



**Plan**



**Section**



**Elevation**

## CORNER WALL CABINET

Model	Size (W x L x H)	Description
□ OC-CW	30" x 12" x 36"	Open Front
□ OC-CWS	30" x 12" x 36"	Solid Door
□ OC-CWG	30" x 12" x 36"	Glass Door

Specifications subject to change without notice.

OC-CW-50 1120