

General Information

Project Name: _____

Consultant: _____

Item #: _____

Model #: _____

Quantity: _____



Model #ICBS-S
Standard Sliding
Door Shown



Model #ICBS-H
Optional Hinged
Door Shown

Specifications

ICBS Model Mobile Ice Bin is constructed of 18GA type 300 series S/S with wrap around construction. The unit features a fully welded insulated double wall construction.

Unit is mounted on 16GA S/S 4.1275cm legs w/ 12.7cm casters, (2) w/ brakes. The crossrail is constructed of 1.27cm S/S rod for added stability.

Ice bin has 2.54cm coved corners & is pitched to a 2.54cm IPS drain with shut off valve.

Ice bin is 33.655cm deep & comes standard with an 18GA S/S sliding door with pull handle. Sliding door is mounted on tracks for easy & smooth open-close.

Overall size of unit is 67.31cm L x 52.07cmW x 69.215H.

Unit is polished smooth to a #4 brushed satin finish.

Product Guide

Mobile Ice Bin is designed to keep drinks cold and be able to serve customers easily. Unit is on casters for easy mobility and can be used indoors or outdoors.

Unit fits under tables to save valuable floor space & for easy access.

Sliding door eliminates the need to pull ice bin from under table.

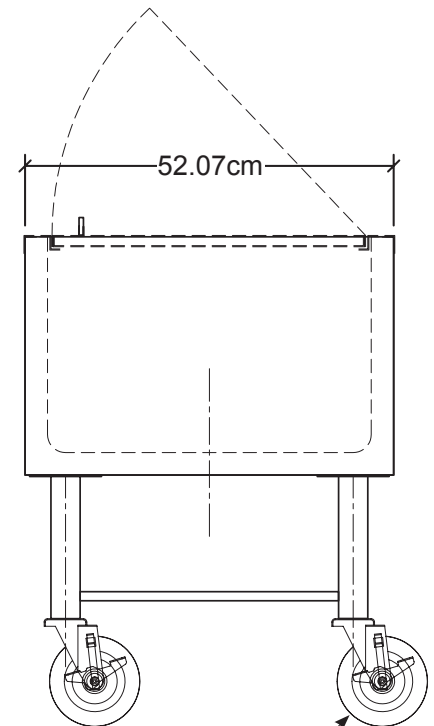
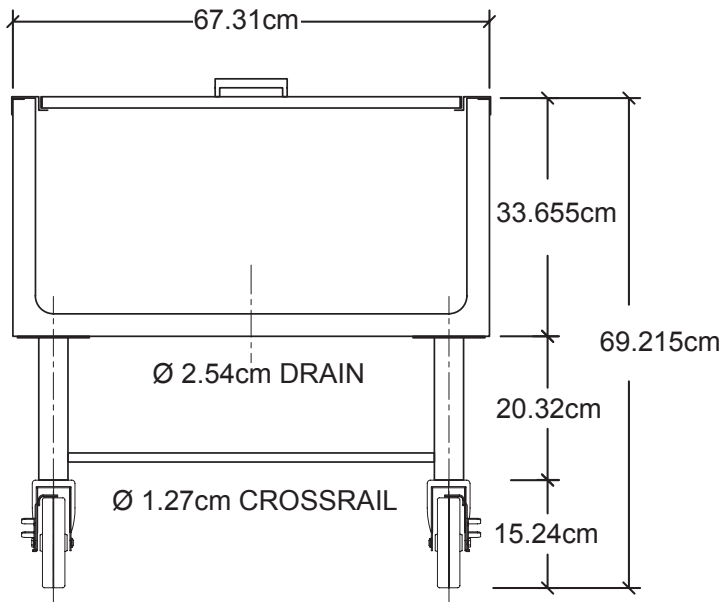
Options

- BAC** - Casters, All with Brakes
- CBM-20** - Corner Bumpers (per set)
- RB-10** - Revolving Bumpers (per set)
- Hinged Door (Model #ICBS-H)
- Custom Sizes Available

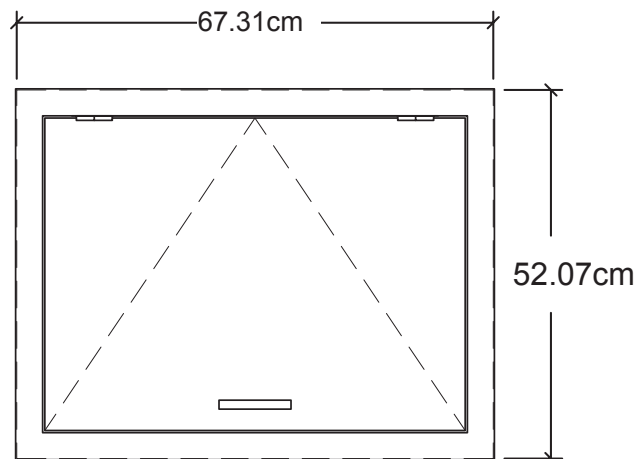


ICBS-10 0123

DRAWINGS



**12.7cm CASTERS,
(2) W/ BRAKES**



MOBILE ICE BIN

Model	Size (L x W x H)	Door
□ ICBS-S	67.31cm x 52.07cm x 69.215cm	Sliding
□ ICBS-H	67.31cm x 52.07cm x 69.215cm	Hinged

Specifications subject to change without notice.

ICBS-10 0123