

General Information

Project Name: _____

Consultant: _____

Item #: _____

Model #: _____

Quantity: _____



Specifications

CSW Model Wall Hand Sink is constructed of 20GA Type 304 stainless steel, with integral back-splash and apron. Sink bowl is deep drawn with non-drip edges and built-in pitch to 1½" waste outlet. Stainless steel front apron conceals bowl. Mount to wall with wall screws through top and lower brackets. Sink bowl is 14" x 10" x 5".

Sink is mounted to wall with screws through rear flanges and offset wall strip.

Product Guide

CS Hand Sinks are dual designed for Institutional and Commercial applications. For use in kitchens and public areas, with abuse resistant features, such as integral apron, multi-point mounting surfaces and high quality faucets.

These sinks are an economical version of Models WS and HS Sinks.

Options are designed to make the sink suitable for a variety of locations throughout the facility, such as prep areas, administrative, receiving and shipping and public areas.

Options

- SS** - Side Splashes (Pair)
- TLG** - Adjustable Tubular Legs
- TWB** - Tubular Wall Brackets
- RSOD** - Rear Sink Overflow Drain
- CBW** - Custom Bowl Size

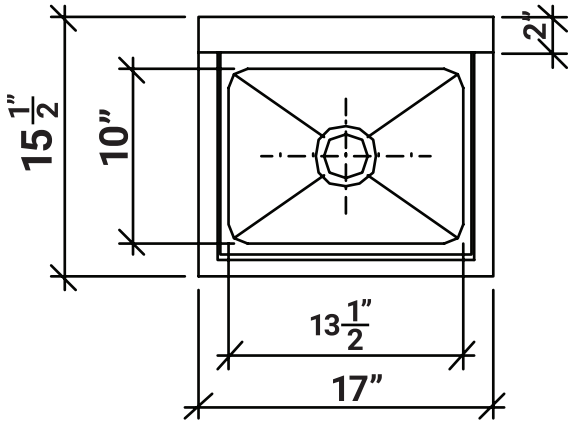
*See Price List for more options

WALL HAND SINK - CSW

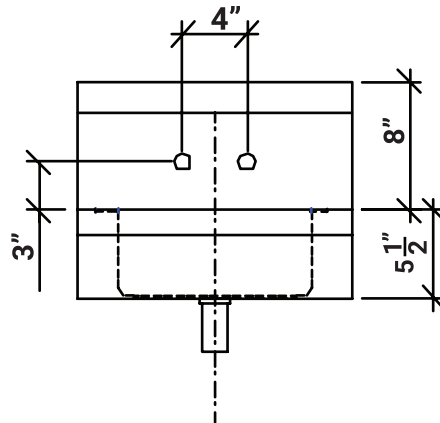
Sink Only Models	Faucet Mounting	Sink w/ Faucet Models	Overall Size
<input type="checkbox"/> CSW-1SX	1 Hole Splash	<input type="checkbox"/> CSW-1S	15½" x 17" x 13½"
<input type="checkbox"/> CSW-2SX	4" OC Splash	<input type="checkbox"/> CSW-2S	15½" x 17" x 13½"
<input type="checkbox"/> CSW-1DX	1 Hole Deck	<input type="checkbox"/> CSW-1D	17" x 17" x 14"
<input type="checkbox"/> CSW-2DX	4" OC Deck	<input type="checkbox"/> CSW-2D	17" x 17" x 14"
<input type="checkbox"/> CSW-1S-SSX	1 Hole Splash (w/ Side Splashes)	<input type="checkbox"/> CSW-1S-SS	15½" x 17" x 13½"
<input type="checkbox"/> CSW-2S-SSX	4" OC Splash (w/ Side Splashes)	<input type="checkbox"/> CSW-2S-SS	15½" x 17" x 13½"



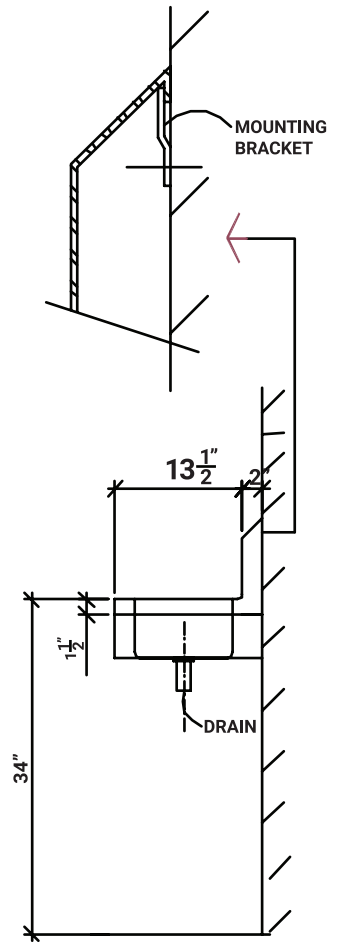
DRAWINGS



PLAN



ELEVATION



END VIEW

ACCESSORIES

(See Price Book Pg. 66-68)



RGLH
Gooseneck Faucet



EFD
Electronic Faucet



KNV
Double Knee
Valve & Gooseneck
Spout



EW-S
Eye Wash Faucet



TD
Towel Dispenser



CTSD
Combo Towel &
Soap Dispenser



ITSD
Integral Towel &
Soap Dispenser

Specifications subject to change without notice.

CSW-011 1124