

General Information

Project Name: _____

Consultant: _____

Item #: _____

Model #: _____

Quantity: _____



Bars are angled 90°
to provide anti-splash.
Picture shown w/
optional banded edges.

Specifications

SG-ATS Anti-Splash Subway Gratings are constructed of 1" x 3/16" type 300 series stainless steel bar stock, set in vertical position with open top and bottom, through-connected by two (2) 1/2" type 300 series stainless steel rods, inset 3" from each end, Heli-arc welded to each bar with 13/16" clearance between each bar, up to 15" in width, three (3) are provided on widths over 15", the third one centered. Bars are angled 90° to provide anti-splash.

Gratings are sized up to 20" long sections to allow cleaning in a dish-washing machine.

Grating is not available for IMC Model #FWR floor water receptacle.

Product Guide

IMC Floor Trough Gratings are specially designed to provide sanitary carefree use - to permit quick, efficient and thorough cleaning.

Rugged stainless steel construction, engineered to stand up under day-in and day-out abuse.

Floor Trough Gratings can be easily built to specific custom dimensions to fit the operator's special needs and requirements.

Our engineers would be delighted to put their experience and knowledge to work for you in planning the most efficient use of your space.

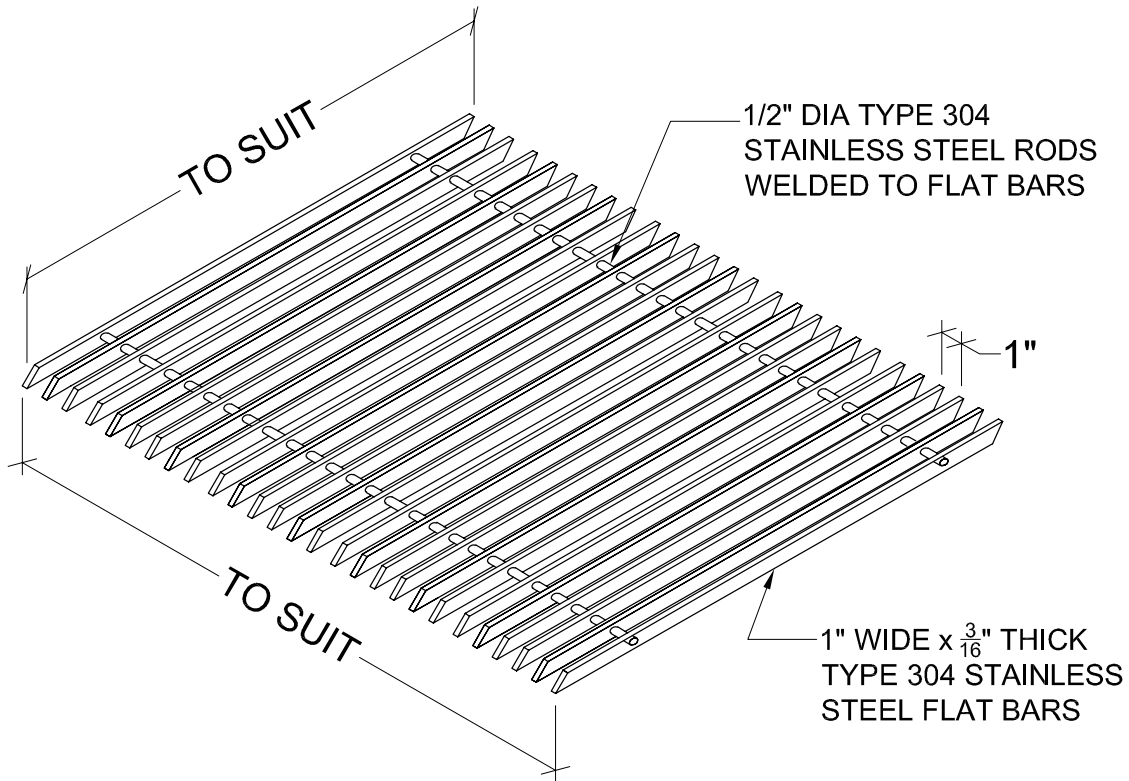
Options

- Banding
- 1/4" Radius Corners
- Extra Polishing
- 1 1/2" x 1 1/2" x 3 1/2" High S/S Angle
Iron Leg w/ Adjustable S/S Bolt
Foot & Locking Nut



SG-ATS-20 0522

DRAWINGS



**ISOMETRIC DETAIL OF
GRATING MODEL "SG-ATS"**

SUBWAY GRATING - ANTI-SPLASH DESIGN

| Model | Size (W x L) | Model | Size (W x L) | Model | Size (W x L) | Model | Size (W x L) |
|----------------|--------------|----------------|--------------|----------------|--------------|----------------|--------------|
| □ SG-ATS-1224 | 12" x 24" | □ SG-ATS-1824 | 18" x 24" | □ SG-ATS-2424 | 24" x 24" | □ SG-ATS-3024 | 30" x 24" |
| □ SG-ATS-1230 | 12" x 24" | □ SG-ATS-1830 | 18" x 30" | □ SG-ATS-2430 | 24" x 30" | □ SG-ATS-3030 | 30" x 30" |
| □ SG-ATS-1236 | 12" x 36" | □ SG-ATS-1836 | 18" x 36" | □ SG-ATS-2436 | 24" x 36" | □ SG-ATS-3036 | 30" x 36" |
| □ SG-ATS-1248 | 12" x 48" | □ SG-ATS-1848 | 18" x 48" | □ SG-ATS-2448 | 24" x 48" | □ SG-ATS-3048 | 30" x 48" |
| □ SG-ATS-1260 | 12" x 60" | □ SG-ATS-1860 | 18" x 60" | □ SG-ATS-2460 | 24" x 60" | □ SG-ATS-3060 | 30" x 60" |
| □ SG-ATS-1272 | 12" x 72" | □ SG-ATS-1872 | 18" x 72" | □ SG-ATS-2472 | 24" x 72" | □ SG-ATS-3072 | 30" x 72" |
| □ SG-ATS-1284 | 12" x 84" | □ SG-ATS-1884 | 18" x 84" | □ SG-ATS-2484 | 24" x 84" | □ SG-ATS-3084 | 30" x 84" |
| □ SG-ATS-1296 | 12" x 96" | □ SG-ATS-1896 | 18" x 96" | □ SG-ATS-2496 | 24" x 96" | □ SG-ATS-3096 | 30" x 96" |
| □ SG-ATS-12108 | 12" x 108" | □ SG-ATS-18108 | 18" x 108" | □ SG-ATS-24108 | 24" x 108" | □ SG-ATS-30108 | 30" x 108" |
| □ SG-ATS-12120 | 12" x 120" | □ SG-ATS-18120 | 18" x 120" | □ SG-ATS-24120 | 24" x 120" | □ SG-ATS-30120 | 30" x 120" |

Specifications subject to change without notice.

SG-ATS 20 0522