



# UNDERCOUNTER REFRIGERATOR

MODEL DUC36F  
2-Door



## PRODUCT FEATURES

- The back mount compressor structure is placed in the coolest possible area, provides quick and easy service.
- Digital temperature controls with LED display for precise adjustment and automatic defrosting system.
- Higher Resistance to dust, high quality condenser.
- R290 Natural Refrigerant, promotes faster cool down and efficient energy consumption
- Stainless steel inside and outside, sealed interior floors and rounder cabinet corners for easy cleaning.
- Includes 1 adjustable and removable wire shelf.
- Lifetime warranty on hinges.
- 2 locking casters (5").



## TECHNICAL SPECIFICATIONS

Voltage/Frequency	110V/60Hz
Refrigerant	R290
Type of Defrost	Automatic
Interior Material	Stainless Steel
Exterior Material	Stainless Steel
Temperature Range °F	0 ~ -8°F
Compressor Power (HP)	1/3
Nema Config.	NEMA5-15P



## HIGH QUALITY STAINLESS STEEL & ROBUST DESIGN



Los Angeles | San Francisco | Dallas  
Houston | Florida | Chicago | New Jersey

1-800-931-8628

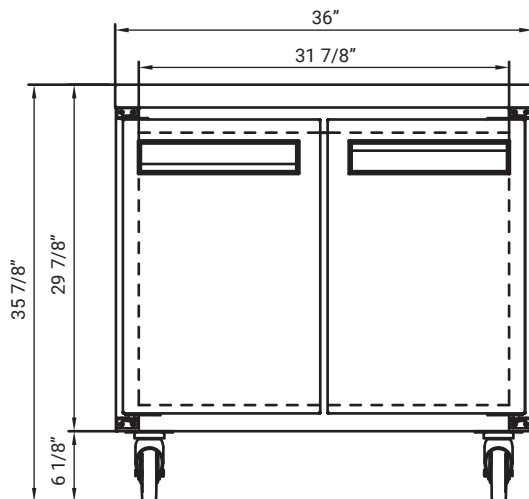
@ info@dukersusa.com

www.DukersUSA.com

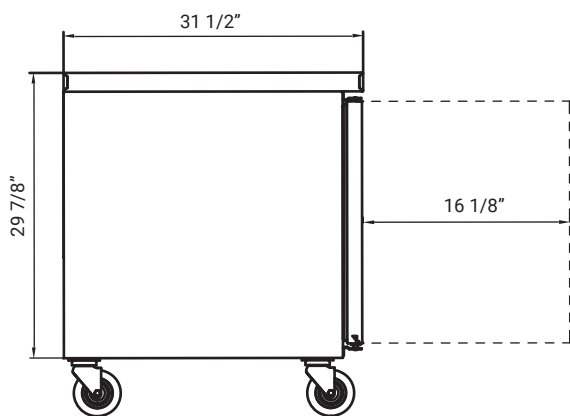
# DETAILS & SPECIFICATIONS

## UNDERCOUNTER DUC36F

Front View



Side View



### MODEL DUC36F

Rated Voltage 110V

Rated Frequency 60Hz

Total Capacity 9.6 cu ft

Insulation Blowing Gas C-Pentane

Refrigerant R290/3.17oz

MODEL	EXTERNAL DIMENSION WXDXH (INCHES)	PACKAGING DIMENSION WXDXH (INCHES)	PRODUCT NET WEIGHT	# OF SHELVES	40HQ CONTAINER CERT.
DUC36F	36 x 31 1/2 x 36	37 3/8 x 33 1/8 x 39 3/8	184 lbs	2	56



Los Angeles | San Francisco | Dallas  
Houston | Florida | Chicago | New Jersey

1-800-931-8628

info@dukersusa.com

www.DukersUSA.com