

### General Information

Project Name: \_\_\_\_\_

Consultant: \_\_\_\_\_

Item #: \_\_\_\_\_

Model #: \_\_\_\_\_

Quantity: \_\_\_\_\_



Shown w/  
Electronic Faucet

### Specifications

**PHS-24 Model** Portable Hand Sink is constructed of Type 304 stainless steel with 16GA sink, counter-top & 18GA body. Sink bowl is 16GA stainless steel, 11½" x 9½" x 5½" deep with coved corners and built in pitch to 1½" waste outlet. Backsplash, side splash and non-drip marine edge prevent water from splashing all over. Overall dimensions are 21" Wide x 24" Long x 42" High.

Double Pan hinged door is constructed of 18GA stainless steel with door lock, (ITD) integral towel dispenser which holds standard multi-fold towels. Standard Soap Dispenser holds 1 Pint. Unit on 4" Casters (2) with brakes. Unit has hot water heater, 5 Gallon removable fresh water tank and 6 Gallon removable waste water tank. Includes 8' cord with standard plug.

### Product Guide

Portable Hand Sinks can be used for catering events, outdoor dining, festivals and many other facilities. Unit on swivel casters for easy movement. Wide variety of options to customize for your needs. Ships fully assembled, ready to operate.

### Options

- LDO-2** - Lever Drain w/ Overflow
- CBW** - Custom Bowl Size
- RGSH-D** - Deck Mounted Goose-neck Faucet w/ Lever Handles
- RGLH-D** - Deck Mounted Goose-neck Faucet w/ Wrist Handles
- TD** - Towel Dispenser (in place of ITD)
- CTSD** - Combo Towel & Soap Dispenser (in place of ITD & SD)

\* See Price List for more options

#### PORTABLE HAND SINK

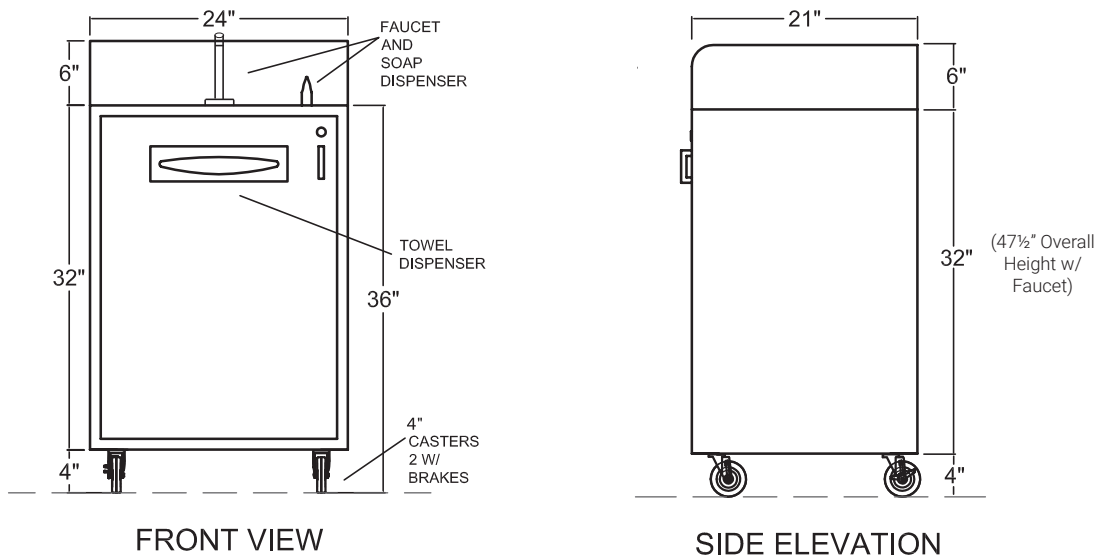
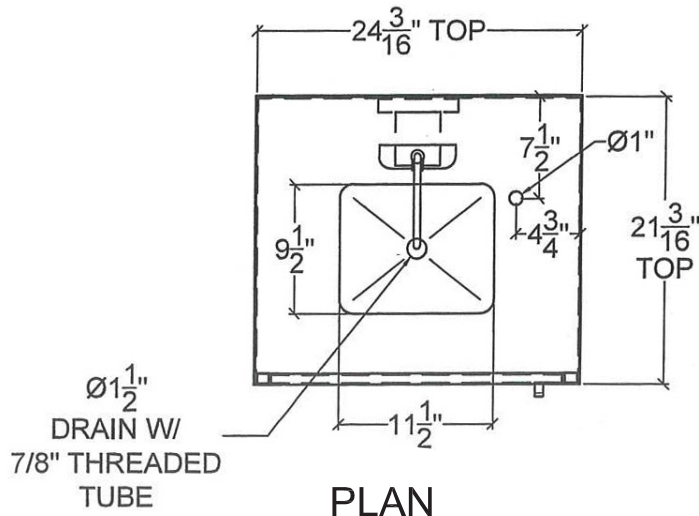
Model	Bowl Size (W x L x D)	Overall Size (W x L x H)
<input type="checkbox"/> PHS	11½" x 9½" x 5½"	21" x 24" x 42"



PHS-90 0524



## DRAWINGS



## ACCESSORIES

(See Price Book Pg. 66-68)



Specifications subject to change without notice.

PHS-90 0524