

 **General Information**

Project Name: \_\_\_\_\_

Consultant: \_\_\_\_\_

Item #: \_\_\_\_\_

Model #: \_\_\_\_\_

Quantity: \_\_\_\_\_



 **Specifications**

**USH** Utility Shelf is constructed of 18GA type 300 series S/S with 2" straight backsplash that protects the wall.

Overall size is 8" x 24" or 8" x 36". Custom sizes are also available.

Shelf has 2 mop holders & 3 hooks for rags. Sizes longer than 36" have extra mop holders and/or hooks depending on length. Unit features (2) support brackets on the ends.

Mount on wall with bolts through lip on support flanges.

 **Product Guide**

Utility shelf is placed on wall above any IMC mop sink creating a mop & cleaning area.

 **Options**

- GA-16** - 16GA Upgrade
- Slotted Shelf
- 2" Side Splashes
- Custom Shapes & Sizes Available

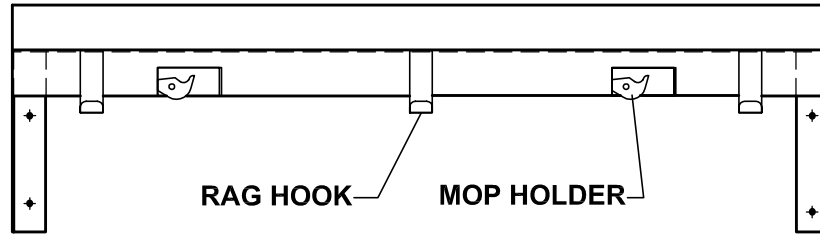
**UTILITY SHELVES**

Model	Size (W x L)
<input type="checkbox"/> USH24	8" x 24"
<input type="checkbox"/> USH36	8" x 36"

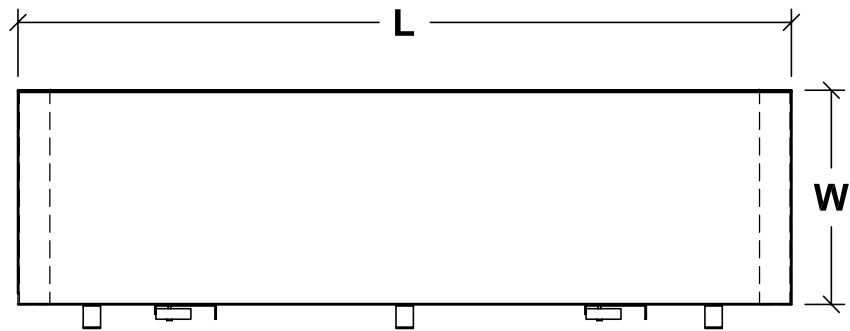


USH-30 0419

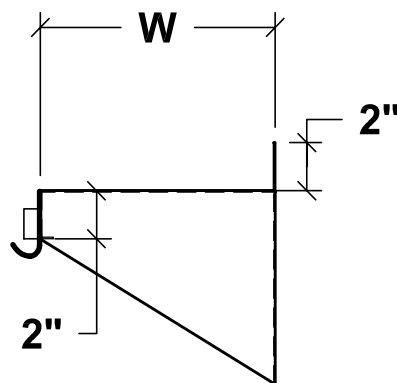
**DRAWINGS**



**FRONT ELEVATION**



**PLAN**



**SIDE ELEVATION**

Specifications subject to change without notice.

USH-30 0419