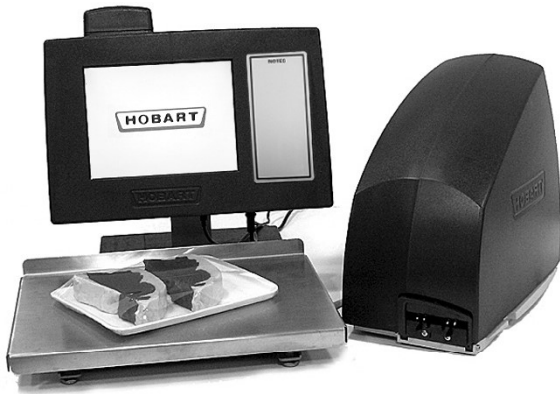




Project _____
 AIA # _____ SIS # _____
 Item # _____ Quantity _____ C.S.I. Section 114000



Access Prepack System



Stand-Alone



SPECIFIER STATEMENT

Access Prepack Systems consist of stand-alone scales, consoles and printers commonly used on Hobart's AWS, CLAS and Hand Wrap Stations.

MODELS

- EPP-3** Access Prepack printer without low speed modem
- EPCP-5i** Linux operating system, HT-Series scale functionality; Ethernet wired and wireless standard; Wireless enables WEP, PEAP, WPA, WPA2
- EPSA-1** Stand alone scale, 50 lb.
- EPSA-2** Stand alone scale, 30 lb.

STANDARD FEATURES

Operator Mode

- + Large color touch screen display (all models 10")
- + 3-screen gesturing
- + Search database by description or nearest PLU number
- + Product and shelf life by day and/or hour
- + Operator notes and product notes
- + Onscreen help questions and answers
- + Pop-up alphanumeric keyboard/numeric keypad

Supervisor Mode

- + USB port can support external keyboard and USB drive
- + COOL records can be created on the scale
- + Database can be backed up to USB drive

ACCESSORIES (Available at extra cost)

- ACCESS-HWSKIT – Hand Wrap Station Kit
- ACCESS-SAKIT – Stand Alone Kit

Wireless Accessory –

- EPCP-5i – wired and wireless are standard, no additional accessories are needed

ACCESS PREPACK SYSTEM

Approved by _____ Date _____ Approved by _____ Date _____



HARDWARE

- + Dual-core processor
- + Standard laptop RAM, 1 GB of memory
- + 8 GB micro SD card
- + Battery backup for date and time
- + 1 USB port to support a USB drive or external keyboard for easy data entry

SOFTWARE

- + Linux Operating System

MERCHANDISING

- + 8 dot/mm high resolution printhead
- + Product life and shelf life can be managed by days and/or by hours
- + Operator and Product notes
- + Expanded text and special message fields have longer length, limited only by label size
- + EAN13 Bar Code available for packages over \$99.99 total price
- + 1½", 2¼" and 3" wide labels up to 4" length for auto-apply



Fully Automatic AWS



SERVICEABILITY

- + Every operator/supervisor screen is a web page that can be accessed remotely via web browser
- + Diagnostics information can be retrieved; scale configuration and PLU database can be verified or modified
- + Monitor real-time use of the scale
- + System firmware can be upgraded via a USB drive or network
- + Automatically send emails when the system is out of labels or when the cassette/print head is disengaged for a given period of time
- + Onscreen help questions and answers
- + EPCP-5i uses HTe for remote scale access

SPECIFICATIONS

Access EPP Printer: 120/60/1, 1.25 Amps, 150 Watts; 26.05 lbs. shipping weight

Access EPCP Control Panel: 120/60/1, .50 Amps, 65 Watts; 15.9 lbs. shipping weight

Weigher Capacity:

- For HWS, weighing capacities are 30 lb. x .01 lb. (30.09 maximum) or 50 lb. x .01 lb. (50.09 maximum) for all console models
- CLAS weigher has 30 lb. x .01 lb. (30.09 maximum) for all console models
- AWS/EWS weigher has 12 lb. x .005 lb., 30 lb. x .01 lb. capacity with EPCP-5i model

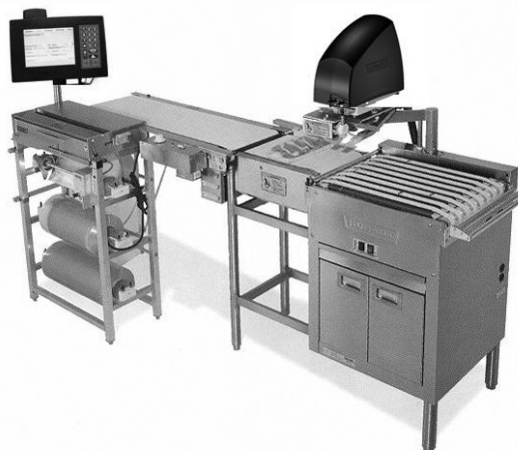
Pricing Capacity: Up to 999.99 in steps of .01



Fully Automatic AWS

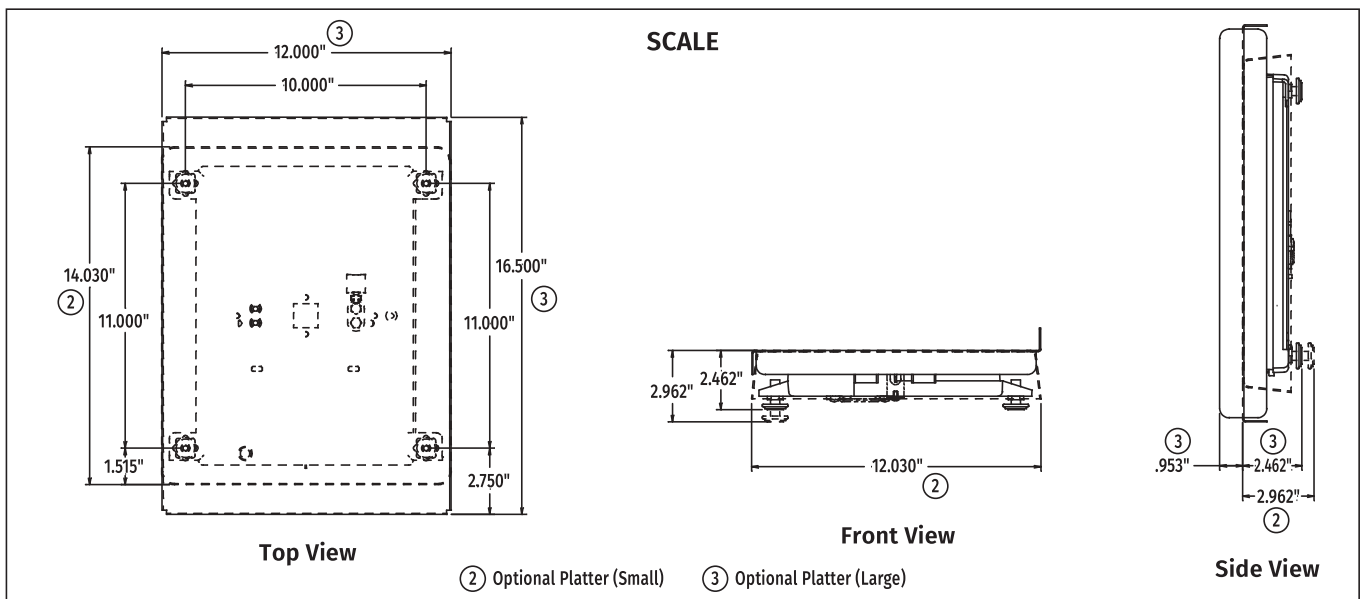
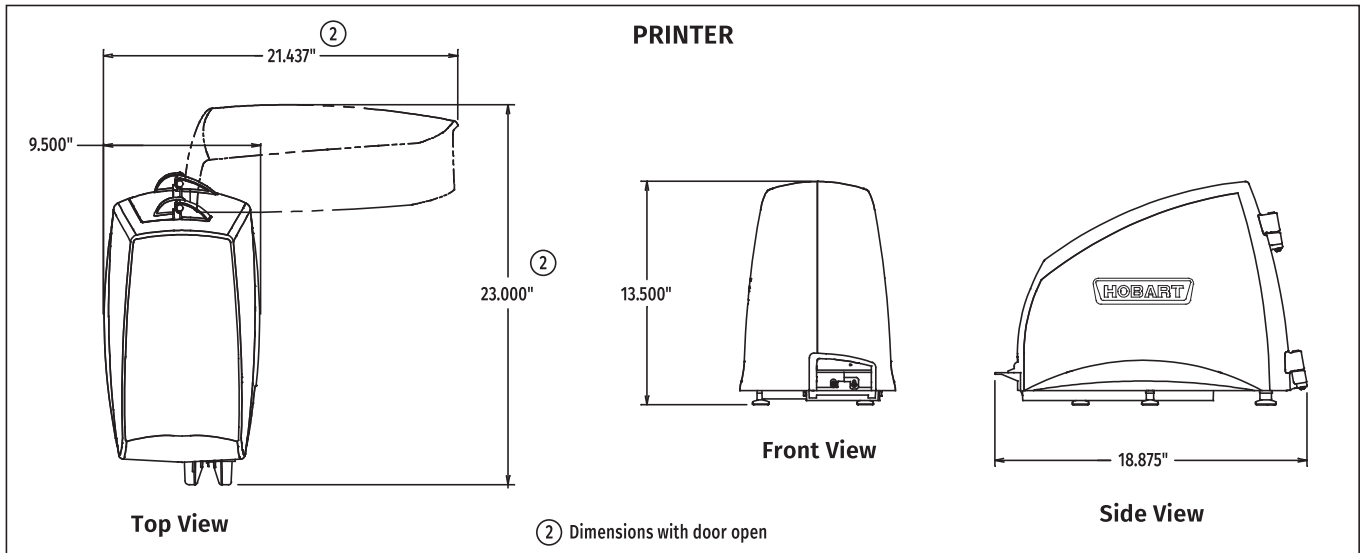
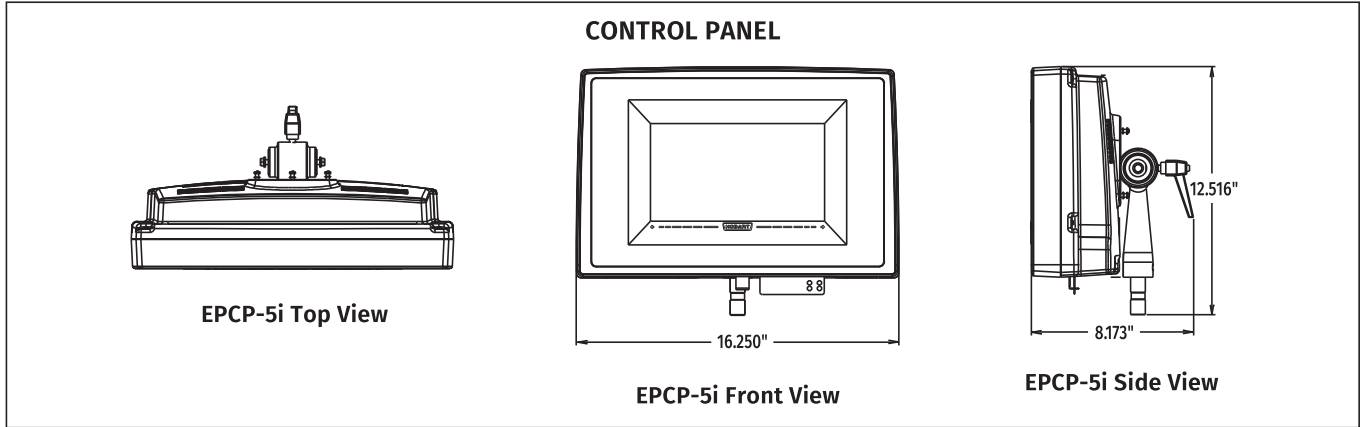


Hand Wrap Station HWS



Semi-Automatic CLA System

DETAILS AND DIMENSIONS



As continued product improvement is a policy of Hobart, specifications are subject to change without notice.