



Project _____
 AIA # _____ SIS # _____
 Item # _____ Quantity _____ C.S.I. Section 114000



GTi Scale



GT Scale with 11.6" Operator Display



GT Scale with 10" Elevated Customer Display



SPECIFIER STATEMENT

The GTi scale is equipped with a quad-core processor and Linux operating system. GT scales weigh, automatically compute a price from stored PLU's, and print a label. The GT scales utilize Hobart's multi-screen swipe technology user interface for operator ease of use. Scales on the same network may connect remotely to other scales for a Hand Wrap Station or other applications.


MODELS

Model	Customer Display	Operator Display
<input type="checkbox"/> GTi-DB	No GCD	11.6"
<input type="checkbox"/> GTiP-DB	Printer Only	11.6"
<input type="checkbox"/> GTi-7DB	7" Integrated GCD	11.6"
<input type="checkbox"/> GTi-7EDB	7" Elevated GCD	11.6"
<input type="checkbox"/> GTi-10EDB	10" Elevated GCD	11.6"
<input type="checkbox"/> GTi-DC	No GCD	13.3"
<input type="checkbox"/> GTiP-DC	Printer Only	13.3"
<input type="checkbox"/> GTi-7DC	7" Integrated GCD	13.3"
<input type="checkbox"/> GTi-7EDC	7" Elevated GCD	13.3"
<input type="checkbox"/> GTi-10EDC	10" Elevated GCD	13.3"

STANDARD FEATURES

- + Engaging and customizable graphical user interface
- + Capacitive touch display for optimal responsiveness
- + Durable touchscreen improves wear and tear properties
- + Optional operator display sizes (11.6", 13.3")
- + Change departments from the home screen
- + Auto-print capability from home screen
- + Customizable flash keys
- + Built-in wired or wireless connectivity
- + 5-screen swipe capability
- + Up to 3" label width
- + Low label detection and alerts
- + Advanced diagnostic alerts
- + Search by description, category, or PLU
- + Best seller keys by scale/department
- + On-screen operator manual and tutorial videos
- + Cassette label loading system for fast and efficient label changes
- + Hot swap print head and print roller for increased uptime
- + Support for UPC, EAN 13 & 128 barcodes, QR Codes, Datamatrix, and GS1 Databar
- + Track operator and supervisor changes
- + Remote access with Hobart software

SOFTWARE

- + Linux embedded operating system 
- + Interfaces with scale management software such as:
 - Invaresh
 - Upshop
 - Hobart HCT
 - Hobart HTe Enterprise
 - Content management
 - Label editing
 - Remote updates

GT SCALE SERIES – GTi

Approved by _____ Date _____ Approved by _____ Date _____



TECHNICAL SPECIFICATIONS

- + 11.6" or 13.3" Capacitive Touchscreen
- + 7" integrated customer display
- + Optional 7" or 10" elevated customer display
- + Quad-core processor
- + 2 GB DDR3 RAM Memory
- + 32 GB micro SD RAM standard
- + 8 ips print speed
- + WiFi-6, and WPA3 security encryption
- + Two external USB 3.0 ports
- + High resolution thermal printhead for detailed graphics (store logos) and smaller barcodes - 203 dpi (8 dots per mm)
- + Accepted labels:
 - 1.50" to 3.00" width
 - 1.00" to 9.50" long die cut
 - Continuous labels
 - Oval labels
 - Linerless (optional)

SPECIFICATIONS

Platter: 16.5" wide x 12" deep

Weigher Capacity:

0 lb. - 12 lb. x 0.005 (0-6 kg x .002 kg)

12 lb. - 30 lb. x 0.01 (0-15 kg x .005 kg)

Pricing Capacity: Up to 999.99 in steps of .01

Electrical: 100-240 volts, 50-60 Hz, single phase, 1.42 amps, 170 watts max. 9 foot standard cord cap with ground type plug furnished.

Media Supports: MPEG4, AAC, AVC/H.264

Weights and Measures Certification:

+ USA Certification – 23-095

+ Canada Certification – Pending

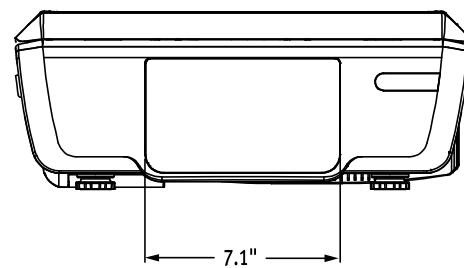
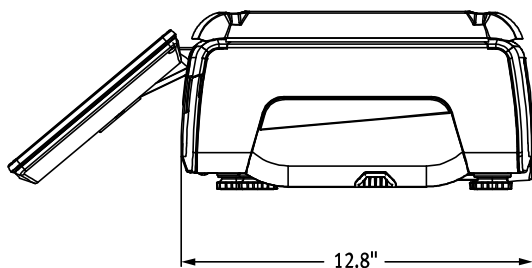
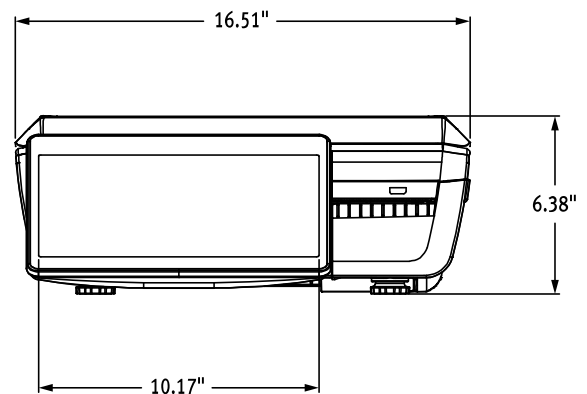
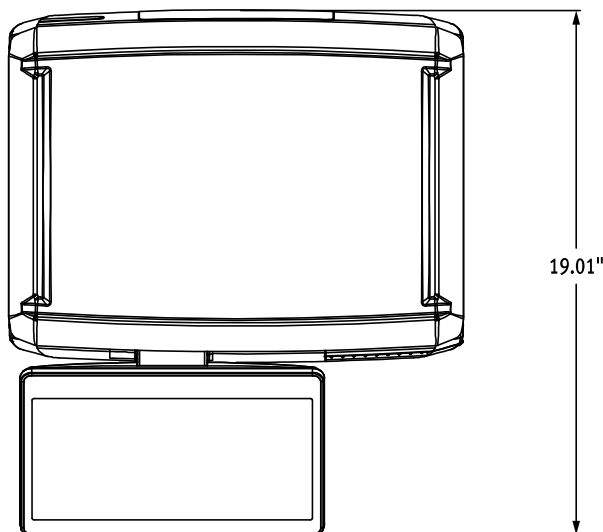
Environment: Operating temperature limits are 14°F (-10°C) to 104°F (40°C) ambient. Scale operates satisfactorily in relative humidity of 10 to 85%.

Shipping Weight: 34 lbs.

ACCESSORIES

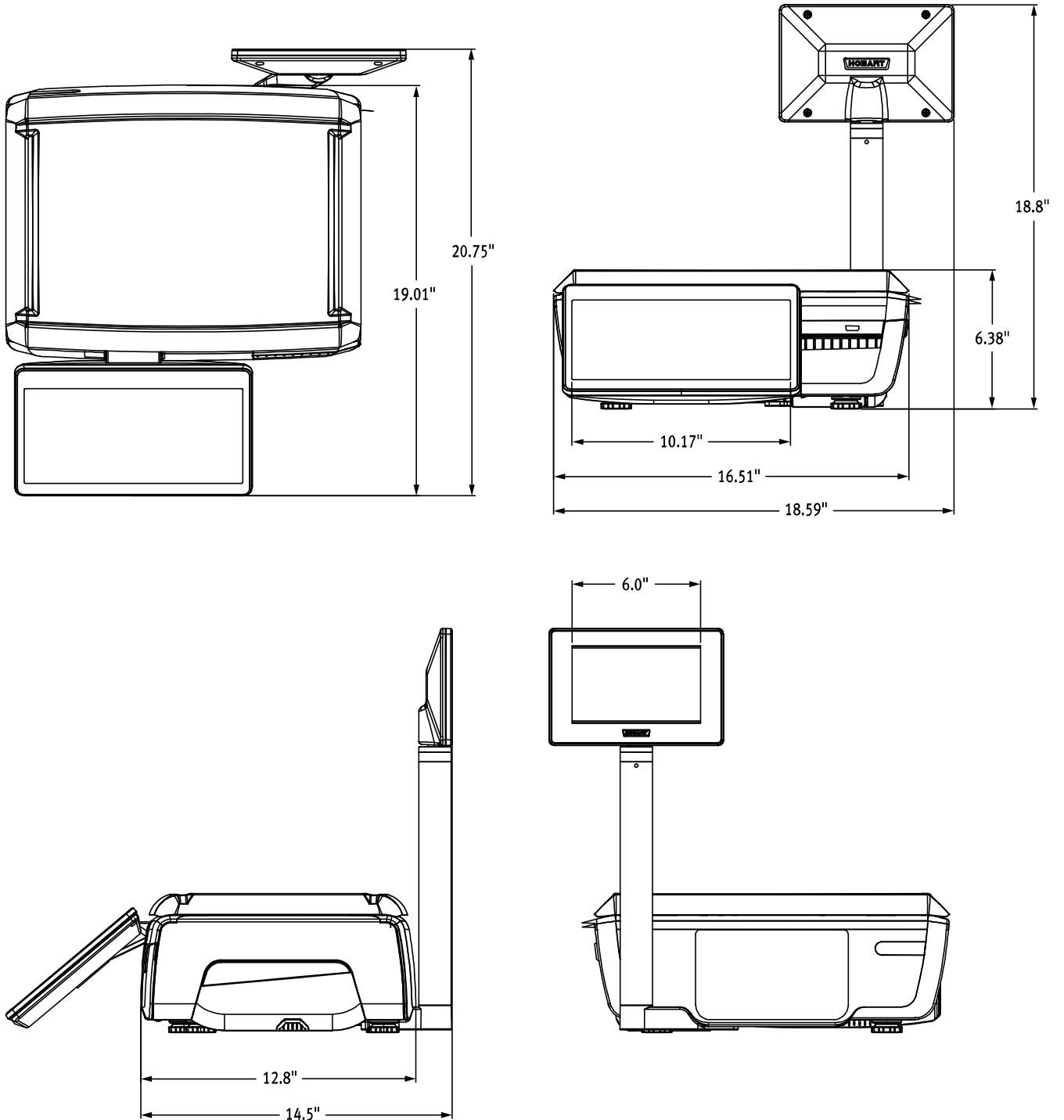
- PLATTER-FISH-GT – Fish pan replaces standard scale platter in seafood departments

DETAILS AND DIMENSIONS

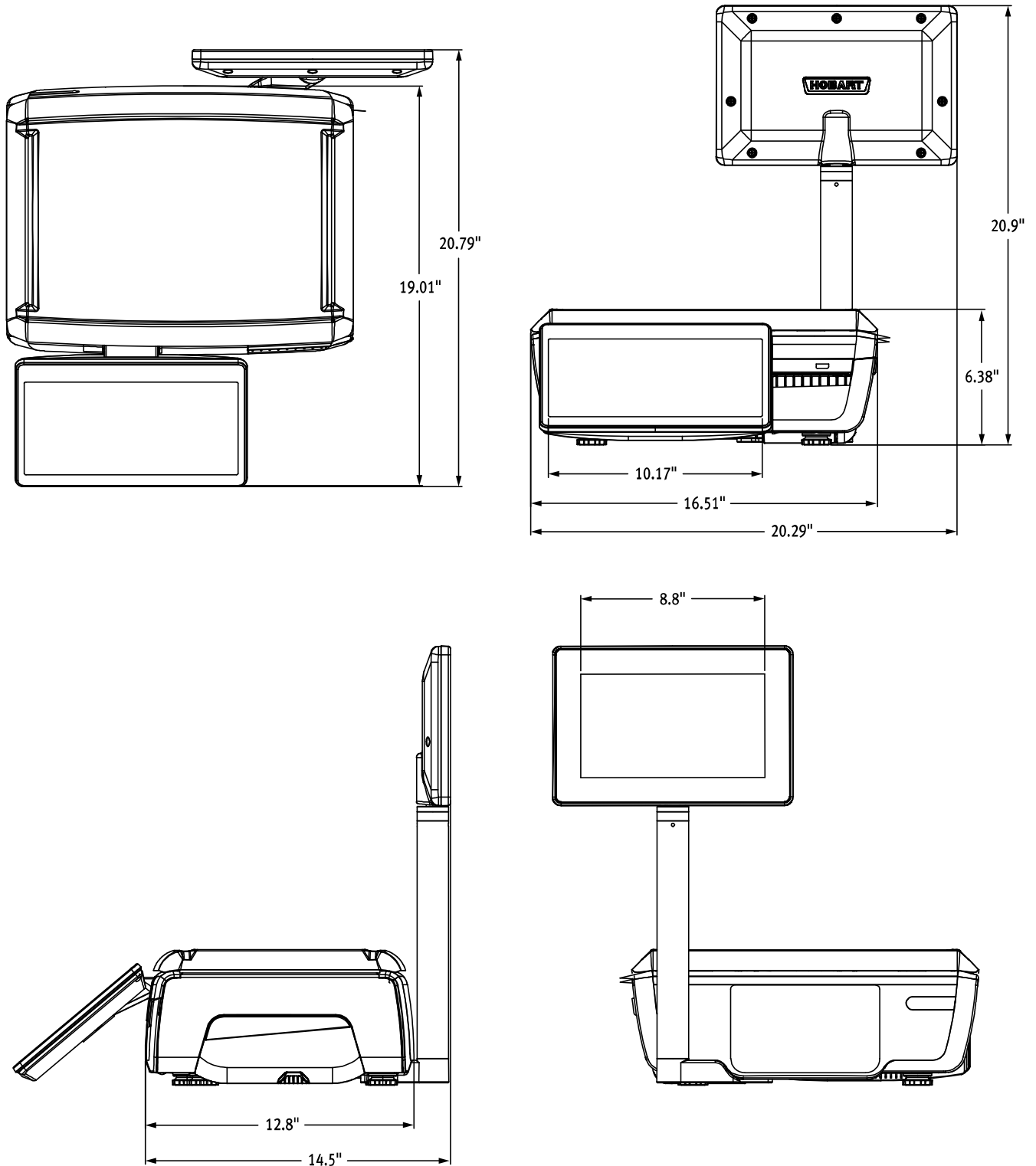


GT 11.6" Operator Display, 7" Integrated Customer Display

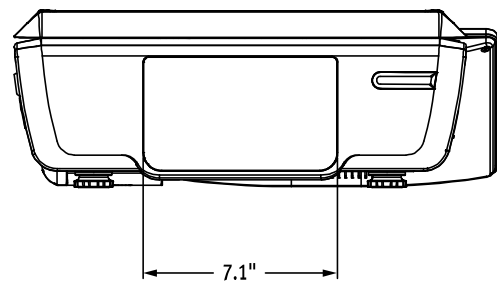
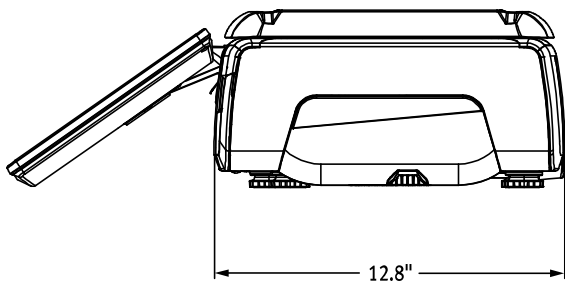
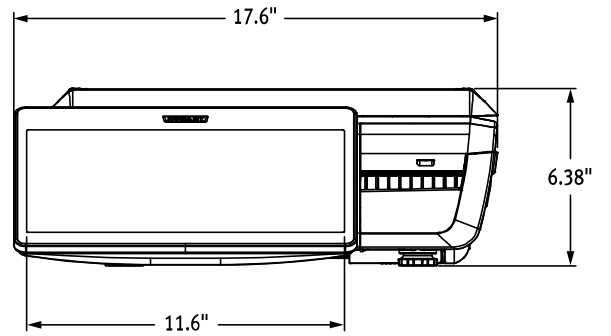
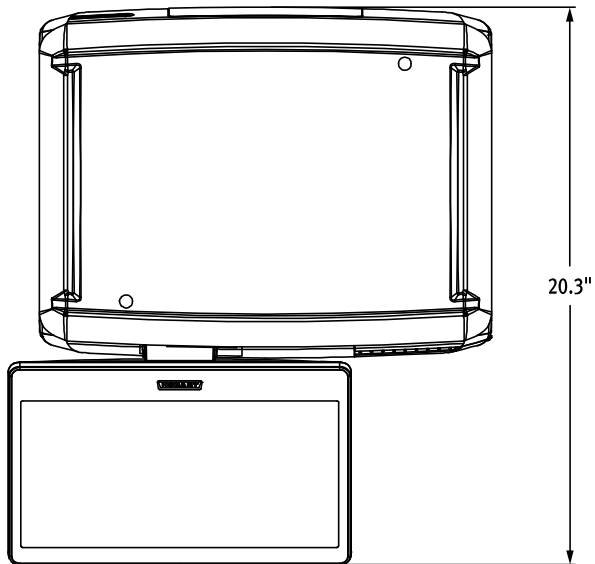
DETAILS AND DIMENSIONS



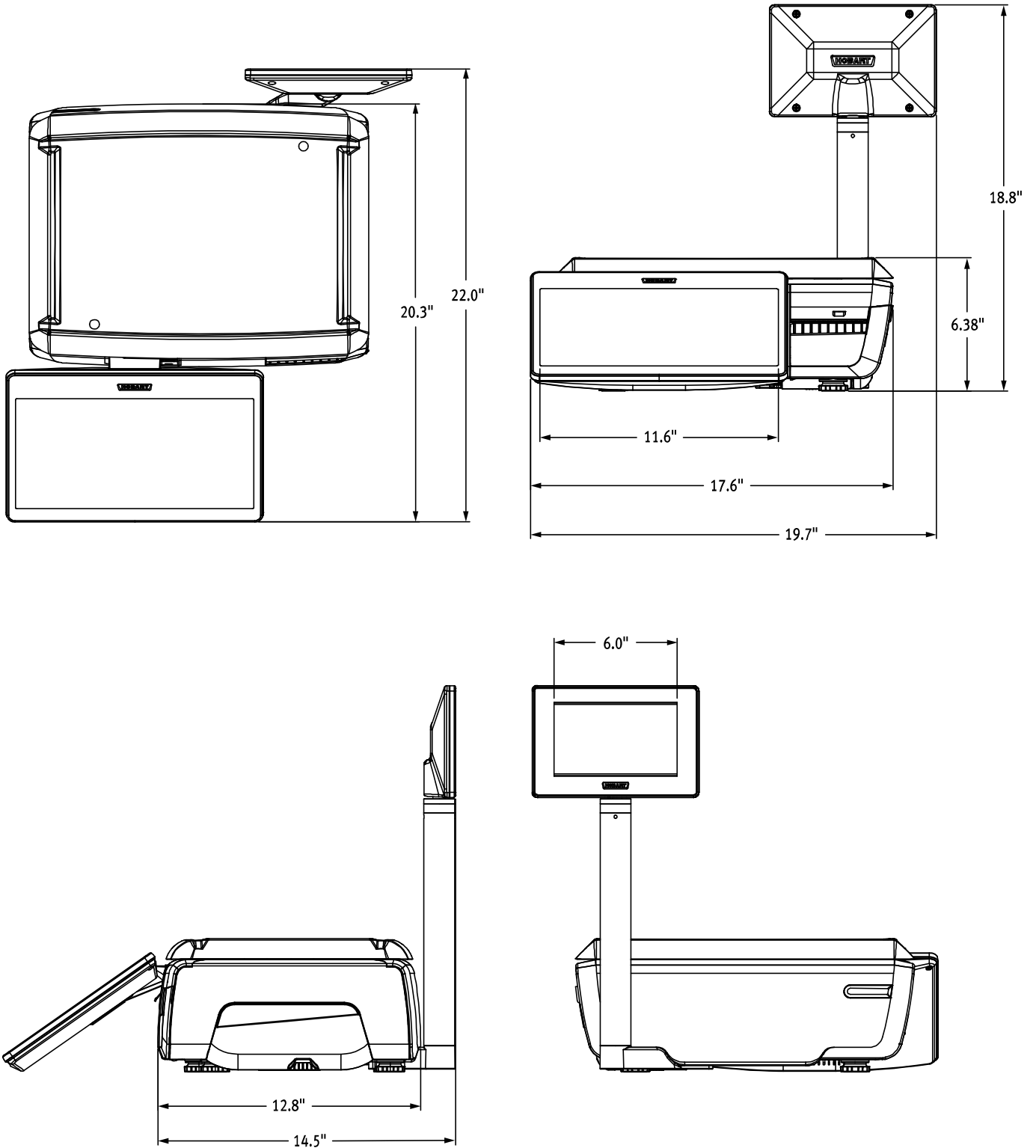
GT 11.6" Operator Display, 7" Elevated Customer Display



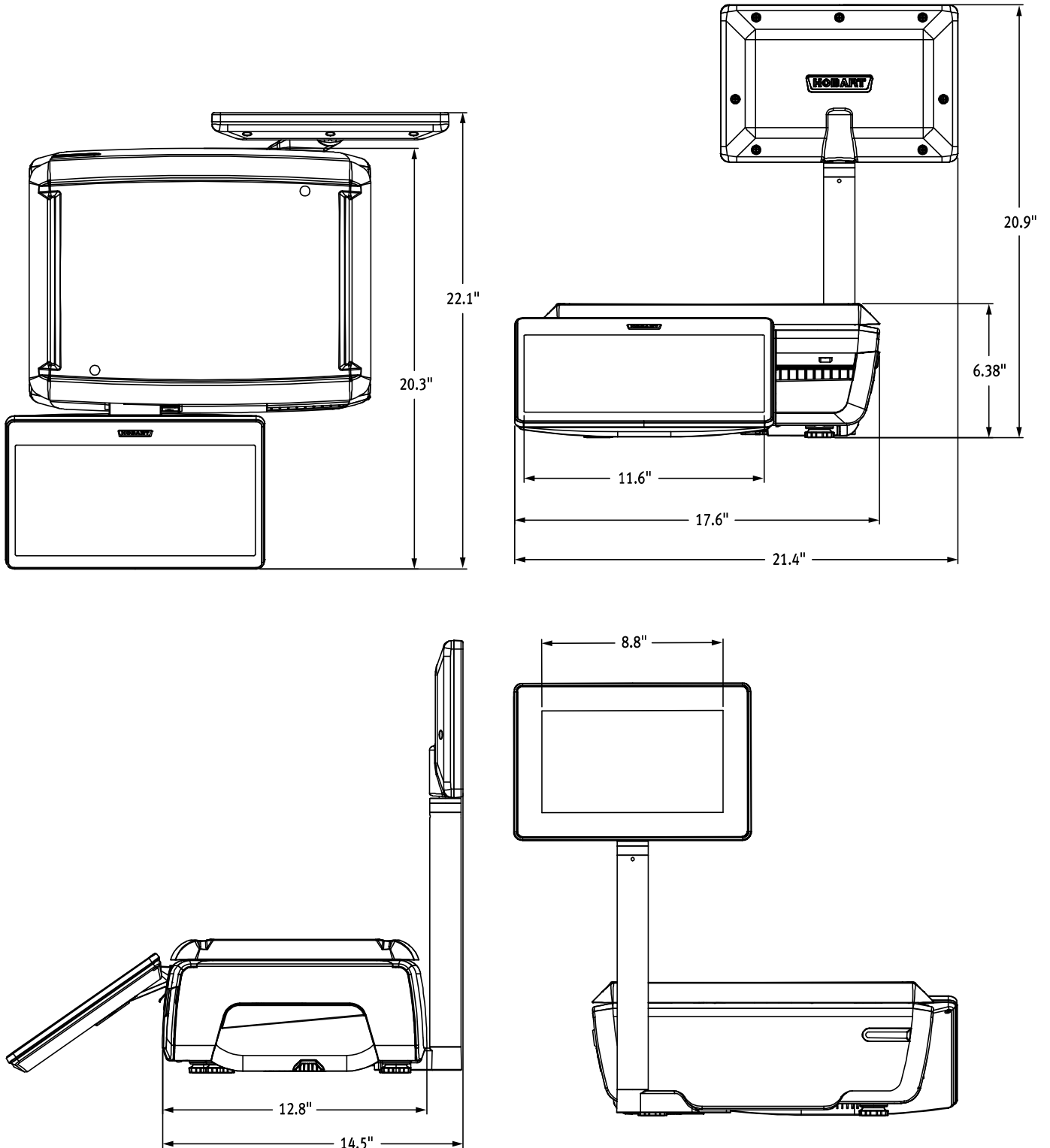
GT 11.6" Operator Display, 10" Elevated Customer Display



GT 13.3" Operator Display, 7" Integrated Customer Display



GT 13.3" Operator Display, 7" Elevated Customer Display



GT 13.3" Operator Display, 10" Elevated Customer Display

As continued product improvement is a policy of Hobart, specifications are subject to change without notice.