



Project \_\_\_\_\_  
 AIA # \_\_\_\_\_ SIS # \_\_\_\_\_  
 Item # \_\_\_\_\_ Quantity \_\_\_\_\_ C.S.I. Section 114000



## GTs Scale



GT Scale with 10.1" Operator Display



GT Scale with 7" Elevated Customer Display



### SPECIFIER STATEMENT

The GTs scale is equipped with a quad-core processor and Linux operating system. GT scales weigh, automatically compute a price from stored PLU's, and print a label. The GT scales utilize Hobart's multi-screen swipe technology user interface for operator ease of use. Scales on the same network may connect remotely to other scales for a Hand Wrap Station or other applications.


### MODELS

Model	Customer Display	Operator Display
<input type="checkbox"/> GTs-DA	No GCD	10.1"
<input type="checkbox"/> GTs-7DA	7" Integrated GCD	10.1"
<input type="checkbox"/> GTs-7EDA	7" Elevated GCD	10.1"
<input type="checkbox"/> GTsP-DA	Printer Only	10.1"

### STANDARD FEATURES

- + Engaging and customizable graphical user interface
- + Capacitive touch display for optimal responsiveness
- + Durable touchscreen improves wear and tear properties
- + Change departments from the home screen
- + Auto-print capability from home screen
- + Customizable flash keys
- + Built-in wired or wireless connectivity
- + 4-screen swipe capability
- + Up to 3" label width
- + Low label detection and alerts
- + Search by description, category, or PLU
- + Best seller keys by scale/department
- + On-screen operator manual and tutorial videos
- + Cassette label loading system for fast and efficient label changes
- + Hot swap print head and print roller for increased uptime
- + Support for UPC, EAN 13 & 128 barcodes, QR Codes, Datamatrix, and GS1 Databar
- + Track operator and supervisor changes
- + Remote access with Hobart software

### SOFTWARE

- + Linux embedded operating system 
- + Interfaces with scale management software such as:
  - Invafresh
  - Upshop
  - Hobart HCT
  - Hobart HTE Enterprise
    - Content management
    - Label editing
    - Remote updates

GT SCALE SERIES – GTs

Approved by \_\_\_\_\_ Date \_\_\_\_\_ Approved by \_\_\_\_\_ Date \_\_\_\_\_



## TECHNICAL SPECIFICATIONS

- + 10.1" Capacitive Touchscreen
- + 7" integrated customer display
- + Optional 7" elevated customer display
- + Quad-core processor
- + 2 GB DDR3 RAM Memory
- + 32 GB micro SD RAM standard
- + 8 ips print speed
- + WiFi-6, and WPA3 security encryption
- + Two external USB 3.0 ports
- + High resolution thermal printhead for detailed graphics (store logos) and smaller barcodes - 203 dpi (8 dots per mm)
- + Accepted labels:
  - 1.50" to 3.00" width
  - 1.00" to 9.50" long die cut
  - Continuous labels
  - Oval labels
  - Linerless (optional)

## SPECIFICATIONS

**Platter:** 16" wide x 11.5" deep

**Weigher Capacity:**

0 lb. - 12 lb. x 0.005 (0-6 kg x .002 kg)

12 lb. - 30 lb. x 0.01 (0-15 kg x .005 kg)

**Pricing Capacity:** Up to 999.99 in steps of .01

**Electrical:** 100-240 volts, 50-60 Hz, single phase, 1.42 amps, 170 watts max. 9 foot standard cord cap with ground type plug furnished.

**Media Supports:** MPEG4, AAC, AVC/H.264

**Weights and Measures Certification:**

+ USA Certification – 23-095

+ Canada Certification – Pending

**Environment:** Operating temperature limits are 14°F (-10°C) to 104°F (40°C) ambient. Scale operates satisfactorily in relative humidity of 10 to 85%.

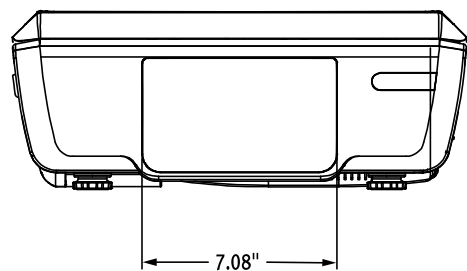
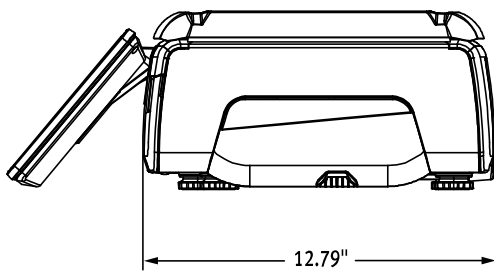
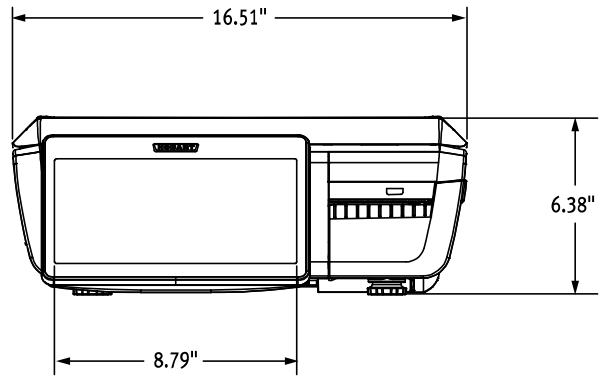
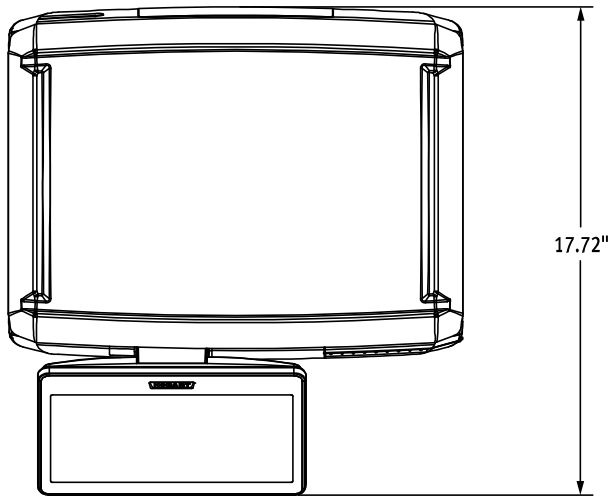
**Shipping Weight:** 34 lbs.

## ACCESSORIES

- PLATTER-FISH-GT – Fish pan replaces standard scale platter in seafood departments



DETAILS AND DIMENSIONS

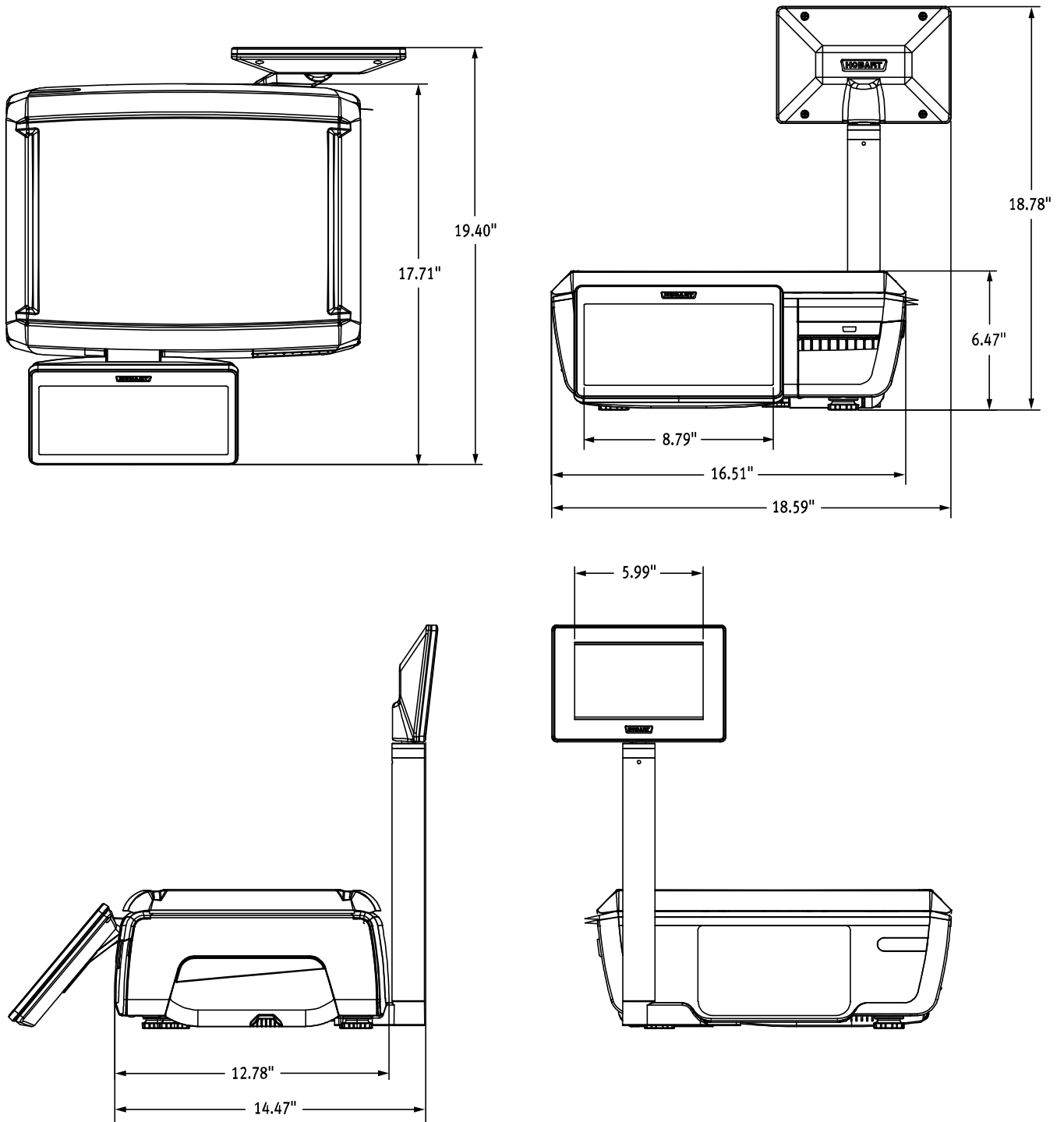


GTs 10.1" Operator Display, 7" Integrated Customer Display



GTs  
Scale

DETAILS AND DIMENSIONS



GTs 10.1" Operator Display, 7" Elevated Customer Display

As continued product improvement is a policy of Hobart, specifications are subject to change without notice.