



Drago America
www.dragoamerica.com

Project Name: _____

Location: _____

Item #: _____ Qty: _____

Model #: _____

SIA #

AIA #

Model:
DRGM24

Griddle
24" - 1/2" thick plate



Features & Benefits

Strong & Durable Structure

- Front, sides, shelf, and plating area made of stainless steel.
- Welded and polished stainless steel joints.
- Stove-level working height when placed on a modular base. *Work table sold separately.
- 3.2" (82 mm) plating area.
- Heavy-duty metal knobs with heat-resistant guards.

Burners:

- Stainless steel "J" type burner.
- One burner per section with individual control.
- One pilot per burner for instant ignition.

Griddle plate:

- 1/2" thick polished steel plate that retains heat and recovers quickly.
- Total working area of 23.85" (606 mm) x 20" (505 mm).
- Stainless steel shelf designed to prevent food spills and provide a secure resting place for handling utensils, such as spatulas.

Grease collector:

- Removable stainless steel tray that prevents corrosion caused by food moisture.



Certifications



Approvals:

Available At:

Model:
DRGM24

Griddle

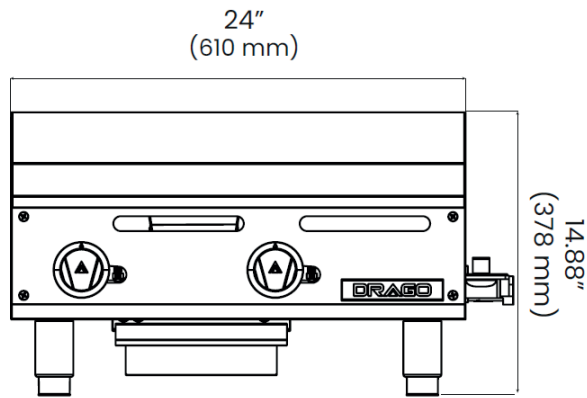
24" - 1/2" thick plate

Burners	Gas Output	Griddle Dimensions			Net Weight
		L	W	H	
2	60,000 Btu/hr	24" (610 mm)	30" (764 mm)	14.88" (378 mm)	115 Lb (52 Kg)

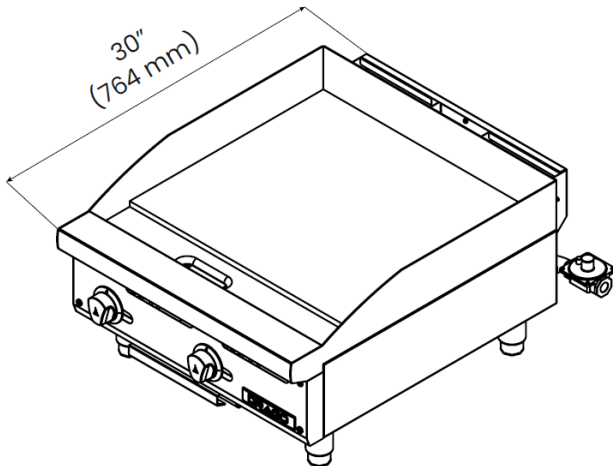


Plan View

Front View



Side View



Spec

Gas Specifications:

Gas Type:	Propane / Natural
Manifold pressure:	11" W.C. / 5" W.C.
Gas connection:	3/4"

Packaging data:

Dimensions:	L 26.7" (680 mm) W 32.2" (820 mm) H 20.4" (520 mm)
Crated weight:	121 Lb (55 Kg)

DRAGO

Drago America
www.dragoamerica.com
(346) 374-8343
9777 W. Gulf Bank Road Suite 200, Houston, Texas 77040