



Drago America
www.dragoamerica.com

Project Name: _____

Location: _____

Item #: _____ Qty: _____

Model #: _____

SIA #

AIA #

Model:
DRPP92

Prep Tables – Pizza Prep Table

3 solid door 24 ft³



Features & Benefits

Strong & Durable Structure

- Stainless steel interior and exterior, aluminum back.

Temperature

- Temperature range 33°F~40°F (0°C~4°C).

User Friendly Features

- Self-closing doors with 90 degree stay-open feature.
- Adjustable heavy duty PVC coated shelves.
- Easy access to condenser coil for cleaning and service.
- Easy adjust temperature set point and defrost frequency.

Pre-installed heavy-duty casters with brakes.
Refrigerant R290.



Certifications



Intertek



Intertek

Doors	Shelves	Pans	Pans Size	HP	AMPS	Crated Weight	Dimensions (inches)		
							W	D	H
3	3	12	1/3	2/3	6.96	619.6 Lb (277 Kg)	91.9" (2334 mm)	31.5" (800 mm)	42.8" (1087.1 mm)

Packaging dimensions: W 97" (2465 mm) x D 36.6" (930 mm) x H 45.8" (1165 mm).

Approvals:

Available At:

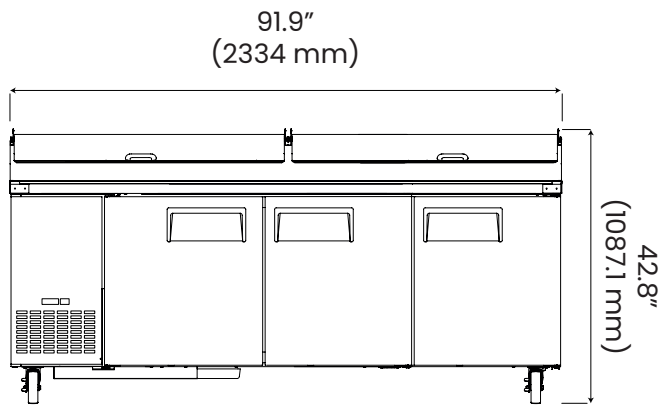
Model:
DRPP92

Prep Tables – Pizza Prep Table

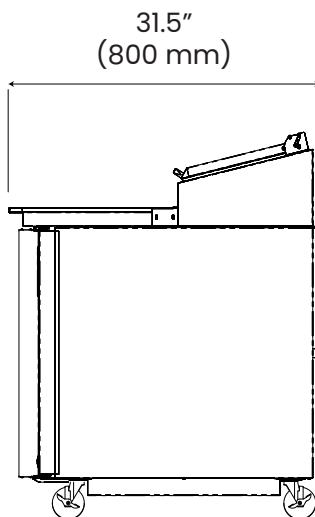
3 solid door 24 ft³



Front View



Side View



Electric Data

Voltage	115/60/1
Plug Type	NEMA 5-15P
Compressor HP	2/3
Refrigerant	R290

Dimensional Data

Capacity - cu. ft.	24 ft ³ (679.6 liters)
Net Weight - Lbs.	440 Lbs. (200 Kg)



Drago America
www.dragoamerica.com
(346) 374-8343
9777 W. Gulf Bank Road Suite 200, Houston, Texas 77040