



Drago America
www.dragoamerica.com

Project Name: _____

Location: _____

Item #: _____ Qty: _____

Model #: _____

SIA #

AIA #

Model:
DRCD72-3

Cake Display Case
30 ft³



Features & Benefits

Strong & Durable Structure

- Stainless steel floor and walls, exterior.

Temperature

- Temperature range 32°F~43°F (0°C~6°C).

User Friendly Features

- Sliding doors.
- Tempered glass to avoid injury by broken glass.
- Preinstalled hidden caster design.
- 12V LED lighting system, safe for users to operate.
- Adjustable glass shelves, provide extra large viewing area to maximize product presentation.
- Easy access to condenser coil for cleaning and service.
- Easy adjust temperature set point and defrost frequency.
- NSF-7 compliant for open food product.

Refrigerant R290.



Certifications



Intertek



Intertek

Doors	Shelves	HP	AMPS	Crated Weight	Dimensions (inches)		
					W	D	H
2	6	1/2	11.04	732 Lb (332 Kg)	70.9" (1800.8 mm)	28.8" (731.5 mm)	55.1" (1399.5 mm)

Packaging dimensions (mm): W 75" (1905) x D 33" (845) x H 61" (1540)

Approvals:

Available At:

Model:
DRCD72-3

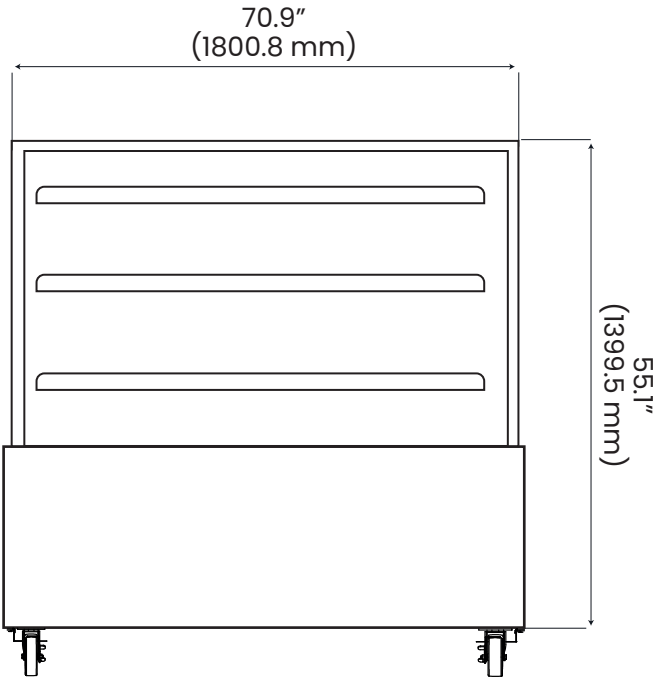
Cake Display Case

30 ft³

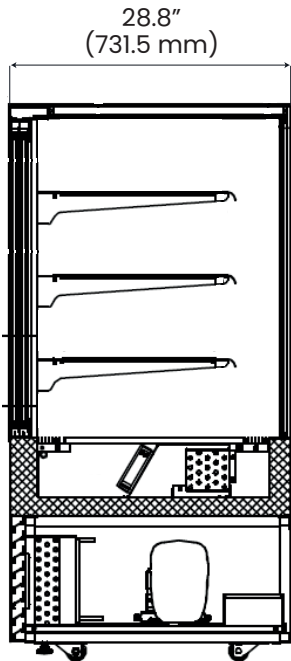


Plan View

Front View



Side View



Spec

Electric Data

Voltage	115/60/1
Plug Type	NEMA 5-15P
Compressor HP	1/2
Refrigerant	R290

Dimensional Data

Capacity - cu. ft.	30 ft ³ (849.5 liters)
Net Weight - Lbs.	618 Lbs (280 Kg)

DRAGO

Drago America
www.dragoamerica.com
(346) 374-8343
9777 W. Gulf Bank Road Suite 200, Houston, Texas 77040