



Drago America
www.dragoamerica.com

Project Name: _____

Location: _____

Item #: _____ Qty: _____

Model #: _____

SIA #

AIA #

Model:
DRSP72-27M

Prep Tables – Megatop Sandwich Prep Table

3 solid doors 16 ft³



**DRAGO
REFRIGERATION**



Features & Benefits

Strong & Durable Structure

- Stainless steel interior and exterior, aluminum back.

Temperature

- Temperature range 33°F~40°F (0°C~4°C).

User Friendly Features

- Self-closing doors with 90 degree stay-open feature.
- Adjustable heavy duty PVC coated shelves.
- Easy access to condenser coil for cleaning and service.
- Easy adjust temperature set point and defrost frequency.

Pre-installed heavy-duty casters with brakes.

Refrigerant R290.



Certifications



Intertek



Intertek

Doors	Shelves	Pans	Pans Size	HP	AMPS	Crated Weight	Dimensions (inches)		
							W	D	H
3	3	27	1/6	2/3	7.8	416.6 Lb (189 Kg)	70.4" (1788.1 mm)	34" (864 mm)	45.9" (1165.8 mm)

Packaging dimensions: W 75.5" (1920 mm) x D 39.1" (995 mm) x H 49.1" (1248 mm).

Approvals:

Available At:

Model:
DRSP72-27M

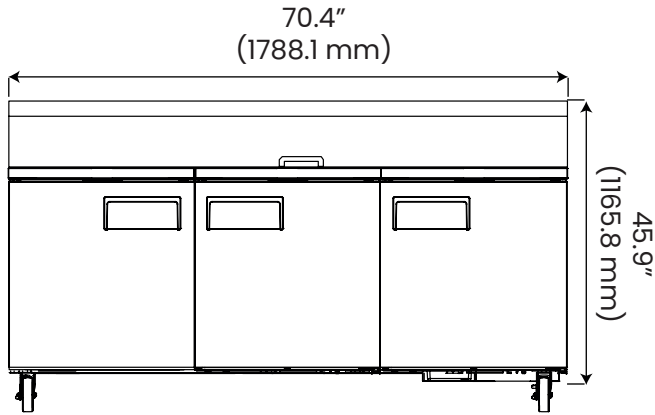
Prep Tables – Megatop Sandwich Prep Table

3 solid doors 16 ft³

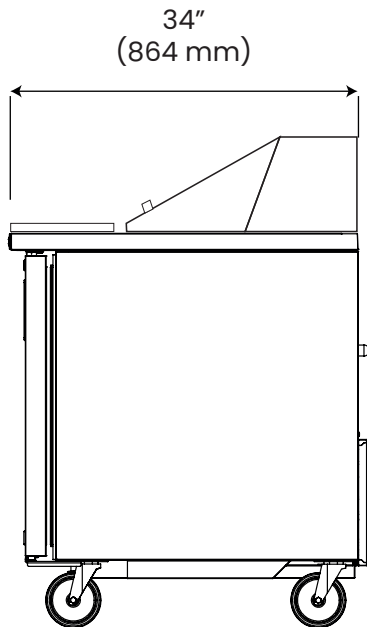


Plan View

Front View



Side View



Spec

Electric Data

Voltage	115/60/1
Plug Type	NEMA 5-15P
Compressor HP	2/3
Refrigerant	R290

Dimensional Data

Capacity - cu. ft.	16 ft ³ (453 liters)
Net Weight - Lbs.	374 Lbs. (170 Kg)



Drago America
www.dragoamerica.com
(346) 374-8343
9777 W. Gulf Bank Road Suite 200, Houston, Texas 77040