



Drago America
www.dragoamerica.com

Project Name: _____

SIA #

Location: _____

Item #: _____ Qty: _____

AIA #

Model #: _____

Model:
DRR36-6B

Burner range with oven
6 burners



Features & Benefits

Strong & Durable Structure

- Stainless steel exterior.
- Heavy duty metal knobs with heat protection grips.
- Heavy duty cast iron top grates.
- Removable crumb tray for easy cleaning.
- Casters included.
- Stainless steel high riser with shelf.

Open Burners:

- Cast iron burners with a capacity of 26,300 Btu/hr with two rings of flame for even heating.
- Anti-clogging, lift off and separate for easy cleaning.
- No gaskets or screws.
- Equipped with an independent pilot per burner for instant ignition.

Standard Oven:

- Stainless steel J burner with a capacity of 27,000 Btu/hr.
- Provides even heating throughout the oven.
- Burner deflector distributes heat flow for even temperatures and reflects heat into the oven.
- Thermostat imported and CSA certified.
- 212°F ~ 572°F (100°C ~ 300°C)
- Includes 2 nickel oven racks.



Certifications



Approvals:

Available At:

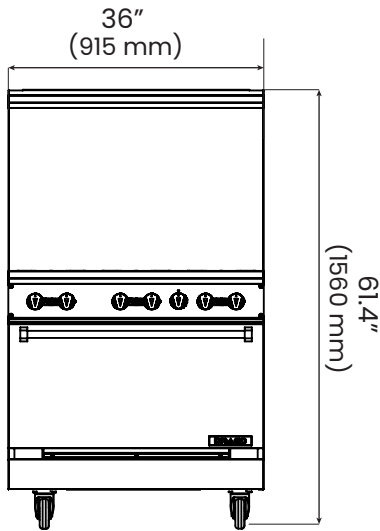
Model:
DRR36-6B

Burner range with oven
6 burners

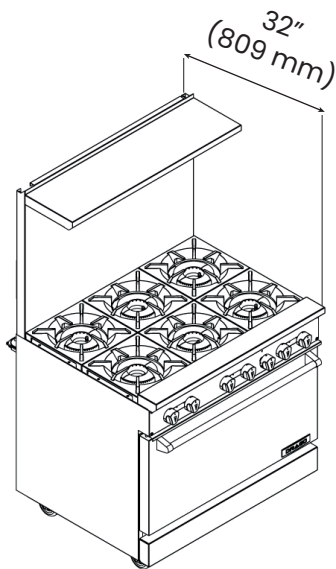
Burners	Gas Output	Range Dimensions			Oven Dimensions			Net Weight
		L	W	H	L	W	H	
7	204,000 Btu/hr	36" (915 mm)	32" (820 mm)	61.4" (1560 mm)	26.4" (672 mm)	22.8" (580 mm)	14.5" (370 mm)	313 Lb (142 Kg)



Front View



Side View



Gas Specifications:	
Gas Type:	Propane / Natural
Manifold pressure:	11" W.C. / 5" W.C.
Gas connexion:	3/4"

Packaging data:	
Crated weight:	L 31.37" (797 mm) W 37.79" (960 mm) H 38.1" (970 mm)
Dimensions:	321 Lb (146 Kg)



Drago America
www.dragoamerica.com
(346) 374-8343
9777 W. Gulf Bank Road Suite 200, Houston, Texas 77040