



Drago America
www.dragoamerica.com

Project Name: _____

SIA #

Location: _____

Item #: _____ Qty: _____

AIA #

Model #: _____

Model:
DRCBR48

Charbroiler
48"



Features & Benefits

Strong & Durable Structure

- Front, sides, and plating area made of stainless steel.
- Welded and polished stainless steel joints on the frame and plating area.
- Stove-level working height when placed on a modular base. *Work bases sold separately.
- 3.2" (82 mm) plating area.
- Heavy-duty metal knobs with heat-resistant guards.
- Removable grease and drip tray for easy cleaning.

Burner System:

- Stainless steel burners with individual control.
- Long-lasting stainless steel deflectors prevent burner clogging, enhance temperature increase, and minimize flame flare-ups.

Grates:

- Heavy-duty cast iron grates provide more attractive grill marks.
- Removable 3" x 22" (76 mm x 559 mm) sections for easy cleaning.
- Sloped cooking surface offers a range of cooking temperatures.
- Each grate features channels that direct excess grease to the front.
- No tools required to remove grates and radiants for cleaning.



Certifications



Approvals:

Available At:

Model:
DRCBR48

Charbroiler

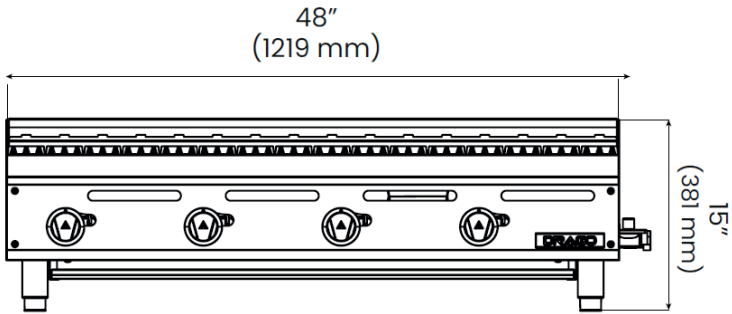
48"

Burners	Gas Output	Broiler Dimensions			Net Weight
		L	W	H	
4	140,000 Btu/hr	48" (1219 mm)	27.3" (694 mm)	15" (381 mm)	233 Lb (106 Kg)

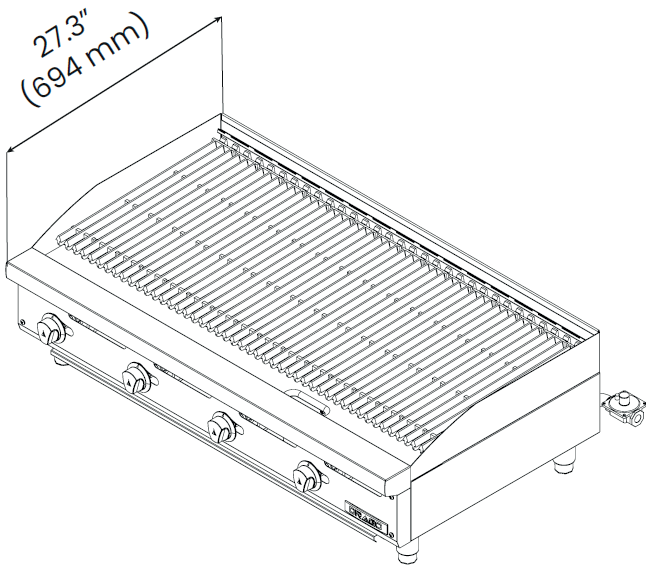


Plan View

Front View



Side View



Spec

Gas Specifications:

Gas Type:	Propane / Natural
Manifold pressure:	11" W.C. / 5" W.C.
Gas connection:	3/4"

Packaging data:

Dimensions:	L 50" (1270 mm) W 32.2" (820 mm) H 20.4" (520 mm)
Crated weight:	255 Lb (116 Kg)

DRAGO

Drago America
www.dragoamerica.com
(346) 374-8343
9777 W. Gulf Bank Road Suite 200, Houston, Texas 77040