



Drago America
www.dragoamerica.com

Project Name: _____

SIA #

Location: _____

Item #: _____ Qty: _____

AIA #

Model #: _____

Model:
DRSPR1

Stock Pot Range Natural Gas
1 section



Features & Benefits

Strong & Durable Structure

- Front, sides, and legs made of stainless steel.
- High-resistance cast iron top grates.
- Heavy-duty metal knobs with thermal protection.
- Removable tray for waste collection.

Burners:

- Made of cast iron.
- Double row of burner ports.
- Each burner has its own ignition and shut-off knob.

Benefits:

- The structure design is enclosed to retain heat and provide better performance.



Certifications



Burners	Gas Output	Griddle Dimensions			Net Weight
		L	W	H	
2	90,000 Btu/hr	17.9" (455 mm)	23.6" (600 mm)	18" (460 mm)	77.1 Lb (35 Kg)

Approvals:

Available At:

Model:
DRSPR1

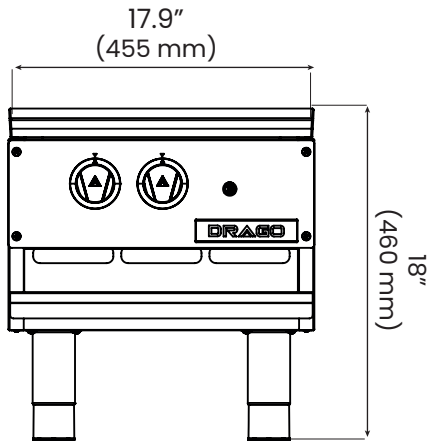
Stock Pot Range Natural Gas

1 section

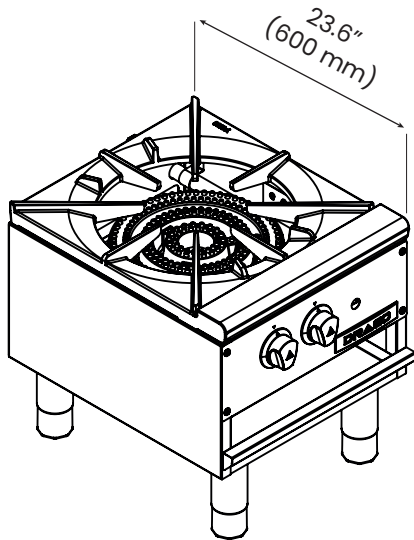


Plan View

Front View



Side View



Spec

Especificaciones de gas

Gas Type:	Natural gas
Manifold pressure:	5.0" W.C.
Gas connection:	3/4"

Información del empaque

Dimensions:	L 21.8" (555 mm) W 27.5" (700 mm) H 14" (356 mm)
Crated weight:	90.3 Lb (41 Kg)

DRAGO

Drago America
www.dragoamerica.com
(346) 374-8343
9777 W. Gulf Bank Road Suite 200, Houston, Texas 77040