



Drago America  
www.dragoamerica.com

Project Name: \_\_\_\_\_

SIA #

Location: \_\_\_\_\_

Item #: \_\_\_\_\_ Qty: \_\_\_\_\_

AIA #

Model #: \_\_\_\_\_

Model:  
DRGM36X

**Griddle**  
36" - 3/4" thick plate



**Features & Benefits**

**Strong & Durable Structure**

- Front, sides, shelf, and plating area made of stainless steel.
- Welded and polished stainless steel joints.
- Stove-level working height when placed on a modular base. \*Work table sold separately.
- 3.2" (82 mm) plating area.
- Heavy-duty metal knobs with heat-resistant guards.

**Burners:**

- Stainless steel "J" type burner.
- One burner per section with individual control.
- One pilot per burner for instant ignition.

**Griddle plate:**

- 3/4" thick polished steel plate that retains heat and recovers quickly.
- Total working area of 23.85" (606 mm) x 20" (505 mm).
- Stainless steel shelf designed to prevent food spills and provide a secure resting place for handling utensils, such as spatulas.

**Grease collector:**

- Removable stainless steel tray that prevents corrosion caused by food moisture.



**Certifications**



Approvals:

Available At:

Model:  
**DRGM36X**

## Griddle

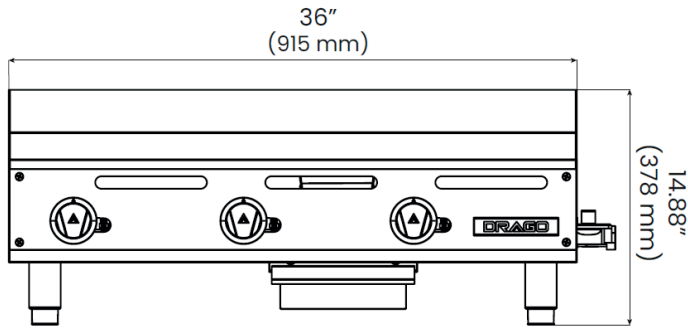
36" - 3/4" thick plate

Burners	Gas Output	Griddle Dimensions			Net Weight
		L	W	H	
3	90,000 Btu/hr	36" (915 mm)	30" (764 mm)	14.88" (378 mm)	149.9 Lb (68 Kg)

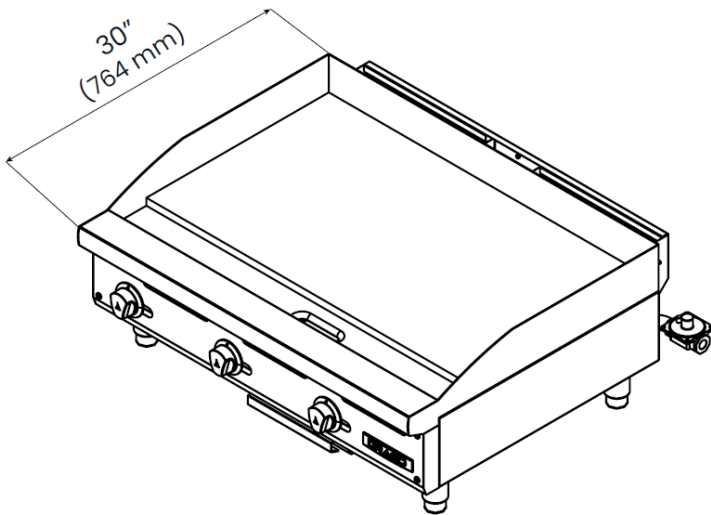


Plan View

Front View



Side View



Spec

### Gas Specifications:

Gas Type:	Propane / Natural
Manifold pressure:	11" W.C. / 5" W.C.
Gas connexion:	3/4"

### Packaging data:

Dimensions:	L 38.5" (980 mm) W 32.2" (820 mm) H 20.4" (520 mm)
Crated weight:	158.7 Lb (72 Kg)

# DRAGO

Drago America  
www.dragoamerica.com  
(346) 374-8343

9777 W. Gulf Bank Road Suite 200, Houston, Texas 77040