



Drago America  
www.dragoamerica.com

Project Name: \_\_\_\_\_

Location: \_\_\_\_\_

Item #: \_\_\_\_\_ Qty: \_\_\_\_\_

Model #: \_\_\_\_\_

SIA #

AIA #

Model:  
DR52MGHF

**Freezers – Merchandising Swing Glass Door**  
3 glass doors freezer 52 ft<sup>3</sup>



**Features & Benefits**

**Strong & Durable Structure**

- Coated steel exterior.
- Attractive aluminum liner with stainless steel floor interior.

**Temperature**

- Temperature range -7°F~0°F (-22°C~-18°C).

**User Friendly Features**

- Self-closing double pane glass door with a positive seal.
- Adjustable heavy duty PVC coated shelves.
- LED lighting.
- Electronic control system; easy adjust temperature set point and defrost frequency.
- Easy access to condenser coil for cleaning and service.

**Refrigerant R290.**



**Certifications**



**Intertek**



**Intertek**

Doors	Shelves	HP	AMPS	Crated Weight	Dimensions (inches)		
					W	D	H
3	12	1*2	15.6	937 Lb (425 Kg)	79.5" (2020 mm)	30.6" (777.2 mm)	80.8" (2052.3 mm)

Packaging dimensions: W 82.2" (2090 mm) x D 34.6" (880 mm) x H 87.4" (2220 mm).

Approvals:

Available At:

Model:  
DR52MGHF

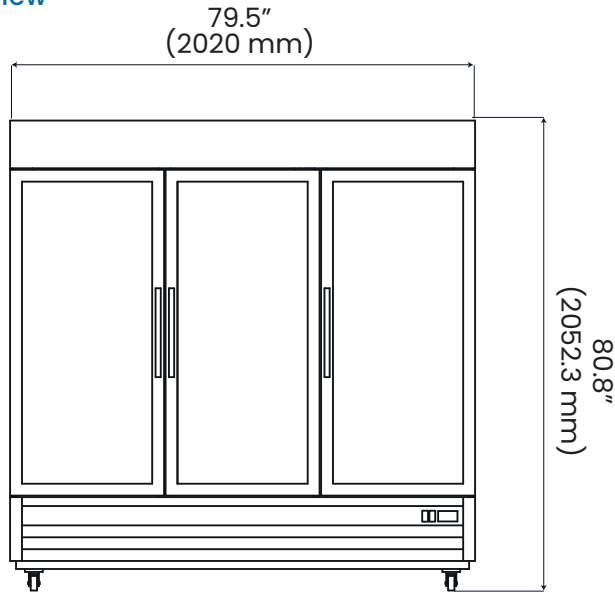
## Freezers - Merchandising Swing Glass Door

3 glass doors freezer 52 ft<sup>3</sup>

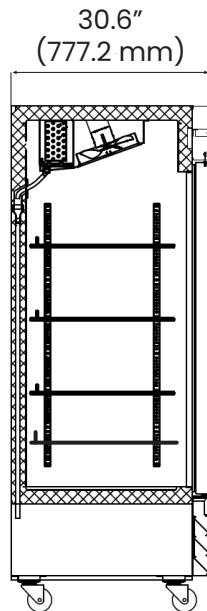


Plan View

Front View



Side View



Spec

### Electric Data

Voltage	115/60/1
Plug Type	NEMA 5-20P
Compressor HP	1*2
Refrigerant	R290

- Includes two compressors

### Dimensional Data

Capacity - cu. ft.	52 ft <sup>3</sup> (1472.4 liters)
Net Weight - Lbs.	858 Lbs (390 Kg)

# DRAGO

Drago America  
www.dragoamerica.com  
(346) 374-8343

9777 W. Gulf Bank Road Suite 200, Houston, Texas 77040