



Drago America
www.dragoamerica.com

Project Name: _____

Location: _____

Item #: _____ Qty: _____

Model #: _____

SIA #

AIA #

Model:
DRBB60GH

Coolers – Glass Door Hinged Back Bar Cooler 24” Depth
2 glass door 16 ft³



Features & Benefits

Strong & Durable Structure

- Stainless steel top, interior walls, floor and ceiling.
- Corrosion resistant vinyl on steel in black finish.

Temperature

- Temperature range 33°F~40°F (0°C~4°C).

User Friendly Features

- Self-closing solid doors with locks.
- Option of stainless steel exterior available.
- LED interior lighting.
- Adjustable heavy duty PVC coated shelves.
- Easy access to condenser coil for cleaning and service.
- Easy adjust temperature set point and defrost frequency.

Pre-installed heavy-duty casters with brakes.

Refrigerant R290.



Certifications



Intertek



Intertek

Doors	Shelves	HP	AMPS	Crated Weight	Dimensions (inches)		
					W	D	H
2	4	3/7	4.1	286.6 Lb (130 Kg)	60.8" (1544 mm)	24.4" (620 mm)	35.6" (905 mm)

Packaging dimensions (mm): W 63.5" (1610) x D 27.5" (700) x H 42" (1060)

Approvals:

Available At:

Model:
DRBB60GH

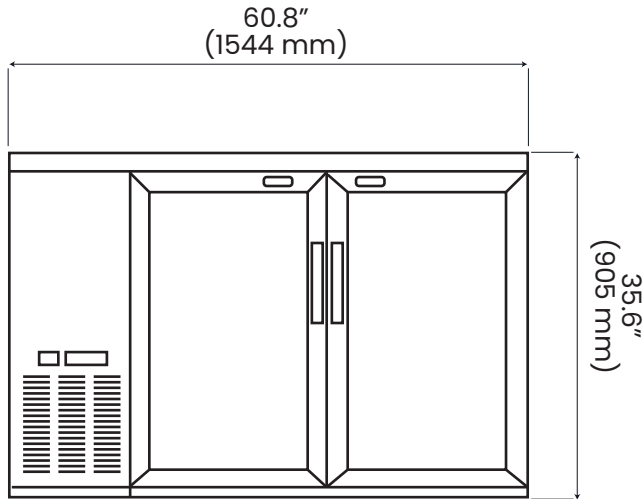
Coolers – Glass Door Hinged Back Bar Cooler 24" Depth

2 glass door 16 ft³

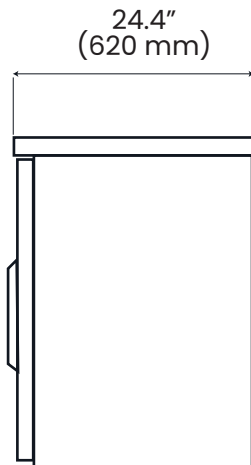


Plan View

Front View



Side View



Spec

Electric Data

Voltage	115/60/1
Plug Type	NEMA 5-15P
Compressor HP	3/7
Refrigerant	R290

Dimensional Data

Capacity - cu. ft.	16 ft ³ (453 liters)
Net Weight - Lbs.	275 Lbs. (125 Kg)

DRAGO

Drago America
www.dragoamerica.com
(346) 374-8343
9777 W. Gulf Bank Road Suite 200, Houston, Texas 77040