



Drago America
www.dragoamerica.com

Project Name: _____

SIA #

Location: _____

Item #: _____ Qty: _____

AIA #

Model #: _____

Model:
DRF75-NG

Fryer
75 Lb / 35 L - Natural Gas



Features & Benefits

Strong & Durable Structure

- Front, door, and back made of stainless steel.
- Sides and back panel made of galvanized steel.
- Stainless steel legs.

Burners:

- Cast iron burners.
- Fast temperature recovery.
- CSA-certified safety gas valve.
- Heat is transferred through tubes along the fryer.

Fry Pot:

- Stainless steel basket support.
- Stainless steel frame.
- Smooth finish for easy cleaning.
- Includes one nickel-plated rack.
- 1 1/4" (31.8 mm) full-port drain valve for quick and safe draining.
- Includes two nickel-plated baskets with an insulated handle grip.

Thermostat:

- Imported and CSA-certified.
- Temperature range: 200°F ~ 400°F (93°C ~ 204°C).

Benefits:

- CSA-certified Hi-Limit system designed for automatic shutdown in case of excessive temperature.
- Rapid oil heating for better-tasting food with less oil absorption.
- Automatic safety shut-off valve.



Certifications



Approvals:

Available At:

Model:
DRF75-NG

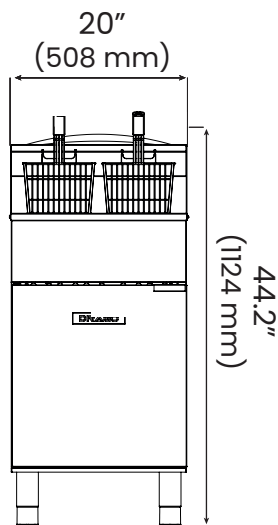
Fryer
75 Lb / 35 L - Natural Gas

Burners	Gas Output	Capacity	Fryer Dimensions			Basket Dimensions			Net Weight
			L	W	H	L	W	H	
5	175,000 BTU/h	82 Lb (40 L)	20" (508 mm)	35.7" (907 mm)	44.2" (1,124 mm)	8.3" (211 mm)	27.9" (709 mm)	5.9" (150 mm)	143 Lb (65 Kg)

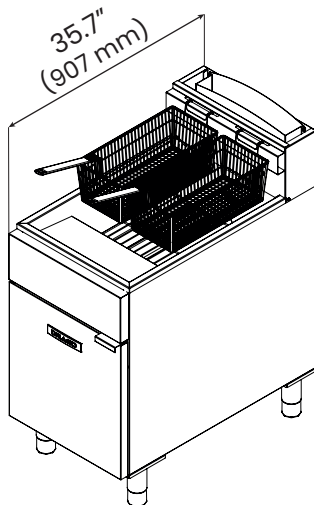


Plan View

Front View



Side View



Spec

Gas Specifications:	
Gas Type:	Natural gas
Manifold pressure:	5.0" W.C.
Gas connection:	3/4"

Packaging data:	
Dimensions:	L 22" (560 mm) W 39.3" (1000 mm) H 35.5" (902 mm)
Crated weight:	165 Lb (75 Kg)



Drago America
www.dragoamerica.com
(346) 374-8343
9777 W. Gulf Bank Road Suite 200, Houston, Texas 77040