



Drago America  
www.dragoamerica.com

Project Name: \_\_\_\_\_

Location: \_\_\_\_\_

Item #: \_\_\_\_\_ Qty: \_\_\_\_\_

Model #: \_\_\_\_\_

SIA #

AIA #

Model:  
DRUC60F

**Freezers – Undercounter Freezer**  
2 solid doors 15 ft<sup>3</sup>



**Features & Benefits**

**Strong & Durable Structure**

- Stainless steel interior and exterior, aluminum back.

**Temperature**

- Temperature range -7°F~0°F (-22°C~-18°C).

**User Friendly Features**

- Self-closing doors with 90 degree stay-open feature.
- Adjustable heavy duty PVC coated shelves.
- Easy access to condenser coil for cleaning and service.
- Easy adjust temperature set point and defrost frequency.

**Pre-installed heavy-duty casters with brakes.**  
**Refrigerant R290.**



**Certifications**



**Intertek**



**Intertek**

Doors	Shelves	HP	AMPS	Crated Weight	Dimensions (inches)		
					W	D	H
2	2	2/3	4.5	313 Lb (142 Kg)	60.2" (1529 mm)	29.5" (750 mm)	35.2" (895 mm)

Packaging dimensions (mm): W 63" (1600) x D 32.3" (820) x H 38.6" (980)

Approvals:

Available At:

Model:  
**DRUC60F**

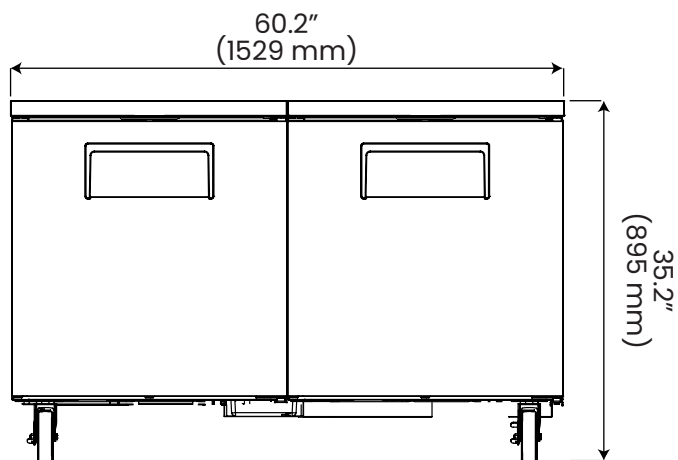
## Freezers - Undercounter Freezer

2 solid doors 15 ft<sup>3</sup>

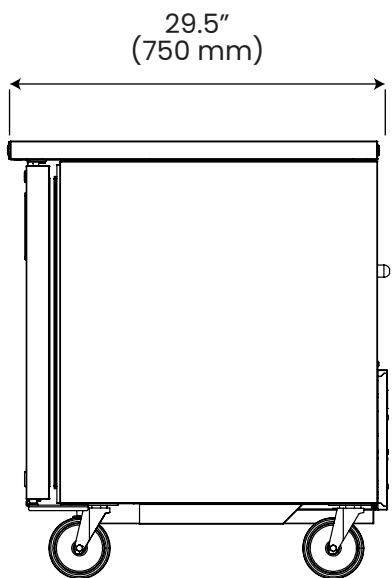


Plan View

Front View



Side View



Spec

### Electric Data

Voltage	115/60/1
Plug Type	NEMA 5-15P
Compressor HP	2/3
Refrigerant	R290

### Dimensional Data

Capacity - cu. ft.	15 ft <sup>3</sup> (424.7 liters)
Net Weight - Lbs.	253 Lbs. (115 Kg)



Drago America  
www.dragoamerica.com  
(346) 374-8343

9777 W. Gulf Bank Road Suite 200, Houston, Texas 77040