

BLACK DIAMOND®

Project Name: _____

Location: _____

Item #: _____

Qty: _____

Black Diamond Chest Freezer, Single Solid Door, 16 cu ft, in White

BDCF-16/2R



The Black Diamond Chest Freezer offers reliable frozen storage for commercial use, perfect for restaurants, cafes, and catering businesses. Featuring a solid steel door and embossed aluminum tub, it ensures durability and easy cleaning. With a generous 16 cubic feet capacity, it accommodates bulk food storage needs. Maintains temperatures from -4° to 3.2°F, with side-mounted compressor for efficiency. Mechanical controls and manual defrost enhance usability, making maintenance straightforward.

FEATURES AND CONSTRUCTION

- Offers a generous 16 cu ft capacity for ample frozen storage
- Features a 0.125 horsepower side-mounted compressor for efficient cooling
- Constructed with a white powder-coated steel exterior and embossed aluminum interior
- Maintains a temperature range of -4° to 3.2°F for optimal food preservation
- Utilizes eco-friendly R290 refrigerant for efficient cooling performance
- Operates on 115V with a NEMA-5-15P plug for convenient power access
- Built-in casters provide easy mobility for cleaning and repositioning
- Hinged lids open 90° for easy access to stored items
- Mechanical controls offer user-friendly temperature adjustments
- Foamed-in-place polyurethane insulation ensures consistent temperature retention

ELECTRIC

115V / 60Hz / 1Ph
Cord Length (Inches): 70"
Plug Type: NEMA 5-15P
Cord set included

NEMA 5-15P



3RD PARTY APPROVALS



Intertek



Intertek

WARRANTY (USA / CANADA)

1 Year Warranty on Parts & Labor, 1 Year
Warranty on Compressor

Contact Admiral Craft Equipment
for details at 1-877-672-7740



STORAGE CAPACITY

- Cubic Feet: 16 cu. ft.

TEMPERATURE

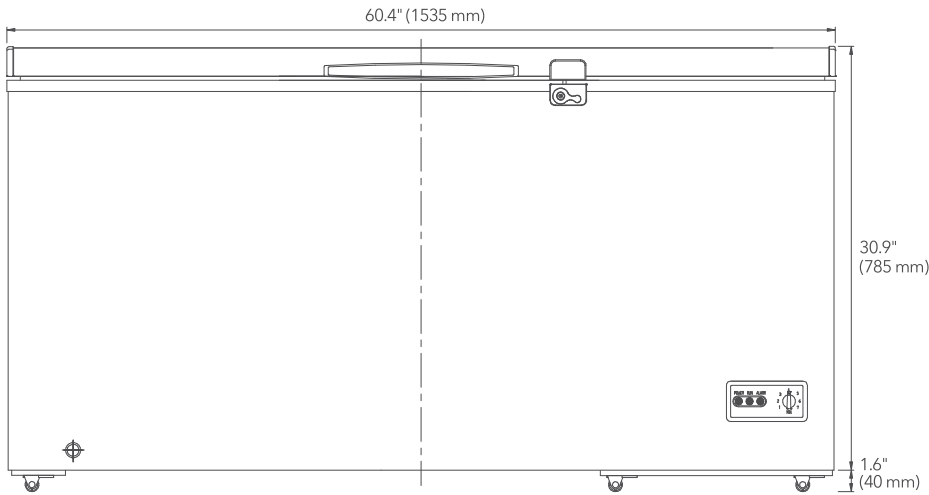
- Holding Temperature (Fahrenheit): -10° - -4°

These models are designed to operate in an environment where temperature and humidity do not exceed 75°F (24°C) and 55% relative humidity

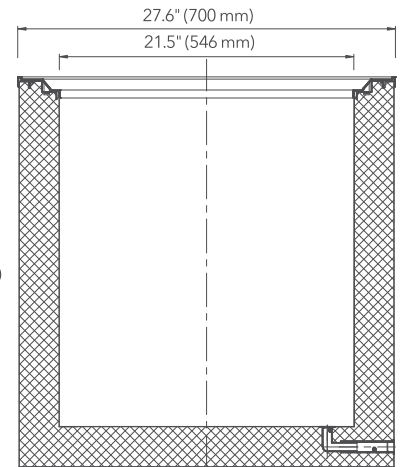
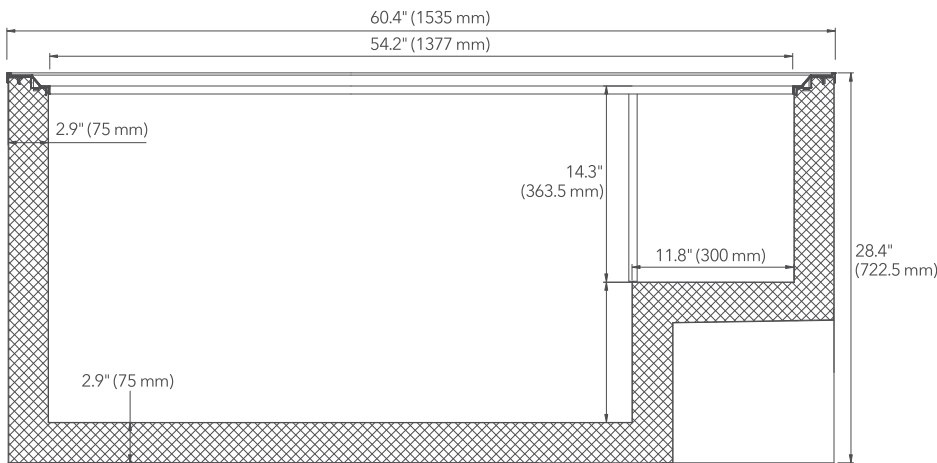
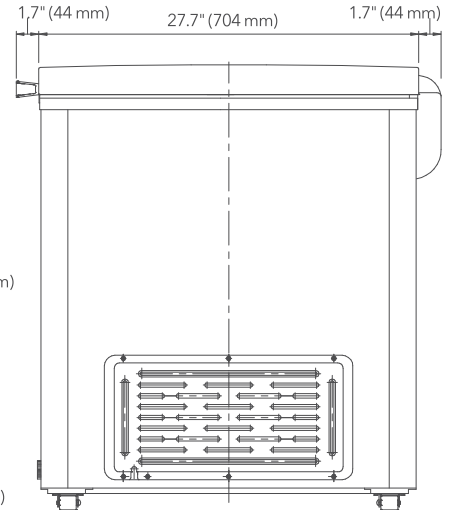
Black Diamond Chest Freezer, Single Solid Door, 16 cu ft

BDCF-16/2R

FRONT



SIDE



Chest

Doors	Baskets Included	Casters	Refrigerant	Amps	HP	Wattage	Assembled Dimensions (in)	Item Weight (lbs)	Shipping Weight (lbs)
1	2	4	R290a 1.94 oz	1.9A	1/8	215W	27.72" x 60.43" x 32.48"	138.9	165.3

Due to periodic changes in designs, methods, procedures, policies and regulations, the specifications contained in this document are subject to change without notice. While we exercise good faith efforts to provide information that is accurate, we are not responsible for errors or omissions in information provided or conclusions reached as a result of using the specifications. By using the information provided, the user assumes all risks in connection with such use.