

BLACK DIAMOND®

Project Name: _____
Location: _____
Item #: _____
Qty: _____

Black Diamond Chest Freezer, Two Glass Doors, 6.4 cu ft, in White

BDCF-6-CG



Elevate your frozen storage with the Black Diamond Sliding Glass Door Chest Freezer, designed for commercial use in convenience stores and bakeries. Featuring tempered glass doors, it ensures durability and visibility. With a 6.4 cubic feet capacity, it accommodates a wide range of frozen foods. Maintains temperatures from -4° to 3.2°F. Includes a manual temperature controller and R290 refrigerant for efficiency. Easy cleaning with a drain plug and manual defrost system.

FEATURES AND CONSTRUCTION

- 6.4 cu ft capacity perfect for storing ice cream, frozen meals, and snacks
- 0.1667 HP side-mounted compressor for efficient cooling
- Constructed with a steel exterior and white PCM aluminum interior
- Temperature range from -4° to 3.2°F for optimal preservation
- Utilizes environmentally friendly R290 refrigerant for efficient cooling
- 115V with NEMA 5-15P plug for reliable power connection
- Sliding glass doors enhance visibility and access
- Includes 2 wire-coated baskets for organized storage
- Integrated lock provides added security for stored items
- LED interior lighting enhances product visibility

ELECTRIC

115V / 60Hz / 1Ph
Cord Length (Inches): 70"
Plug Type: NEMA 5-15P
Cord set included

NEMA 5-15P



3RD PARTY APPROVALS



Intertek



Intertek

WARRANTY (USA / CANADA)

1 Year Warranty on Parts & Labor, 1 Year
Warranty on Compressor

Contact Admiral Craft Equipment
for details at 1-877-672-7740



STORAGE CAPACITY

- Cubic Feet: 6.4 cu. ft.

TEMPERATURE

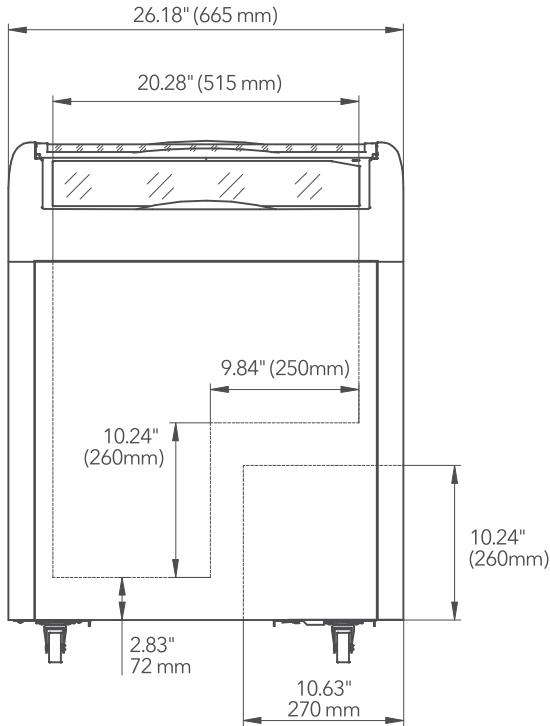
- Holding Temperature (Fahrenheit): -4° - 3.2°

These models are designed to operate in an environment where temperature and humidity do not exceed 75°F (24°C) and 55% relative humidity

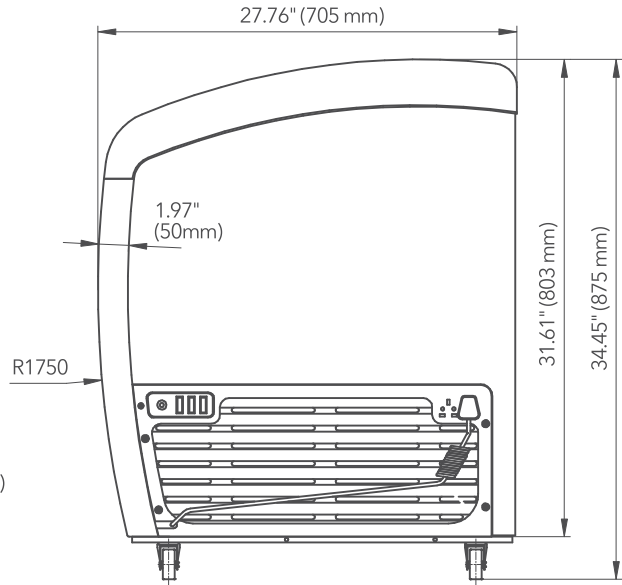
Black Diamond Chest Freezer, Two Glass Doors, 6.4 cu ft

BDCF-6-CG

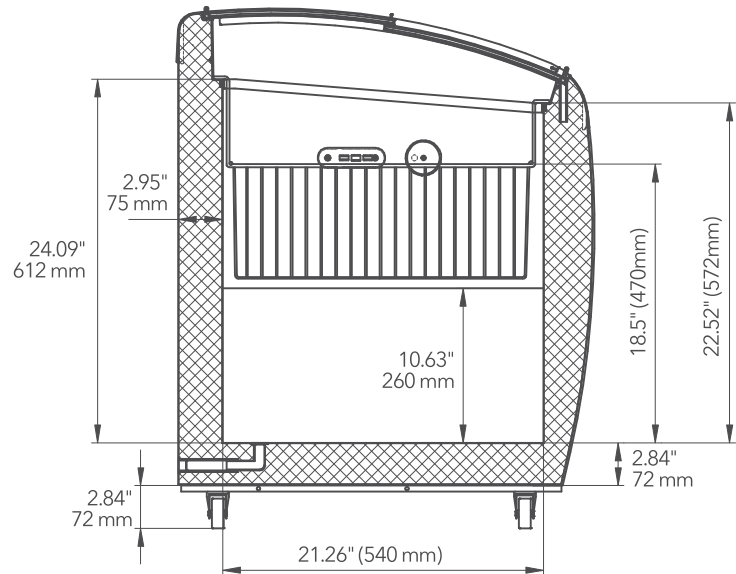
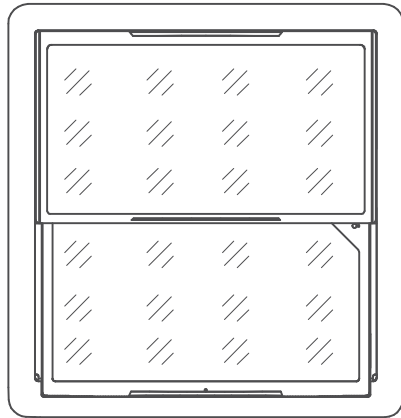
FRONT



SIDE



TOP



Chest

| Doors | Baskets Included | Casters | Refrigerant | Amps | HP | Wattage | Assembled Dimensions (in) | Item Weight (lbs) | Shipping Weight (lbs) |
|-------|------------------|---------|-----------------|------|------|---------|---------------------------|-------------------|-----------------------|
| 2 | 2 | 4 | R290 1.59 oz | 1.9A | 0.16 | 210W | 27.75" x 26.18" x 34.44" | 92.6 | 108.0 |

Due to periodic changes in designs, methods, procedures, policies and regulations, the specifications contained in this document are subject to change without notice. While we exercise good faith efforts to provide information that is accurate, we are not responsible for errors or omissions in information provided or conclusions reached as a result of using the specifications. By using the information provided, the user assumes all risks in connection with such use.