

**TURBO** REFRIGERATOR MANUFACTURER  
**Turbo air**  
 more durable, efficient, beautiful

4184 E. Conant St.  
 Long Beach, CA 90808  
 Tel. 310-900-1000  
 Fax. 310-900-1077  
[www.turboairinc.com](http://www.turboairinc.com)

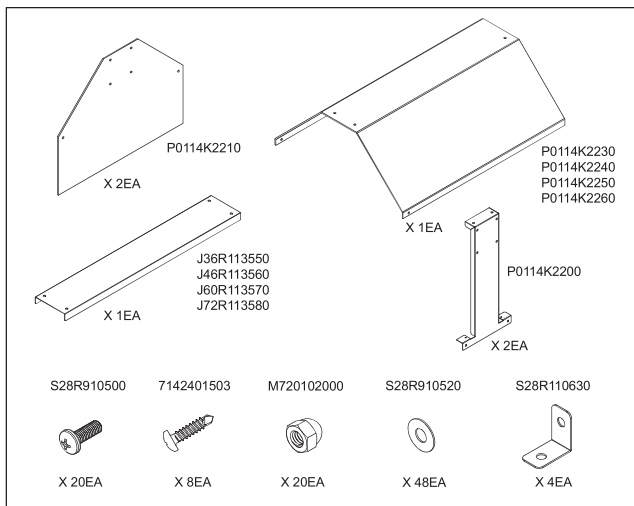
Project:	
Model #:	
Item #:	
Available W/H:	Qty:
Approval:	
AlA #:	SIS #:
CSI Section 11400	

## Sneeze Guards for JBT Series

**Model : SNZ-T**



**SNZ-60T**

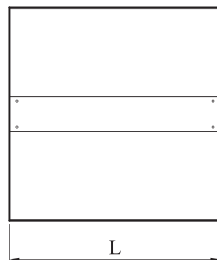


### FEATURES & BENEFITS

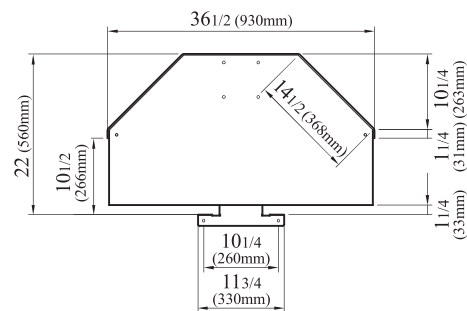
- Double sided sneeze guard keeps the food safe and protects the food area from germs and foreign objects
- A transparent polycarbonate cover is durable, less likely to get scratches, and break resistant. 304 stainless steel two side stands are easy to clean and anti-corrosive
- The package includes support brackets and mounting hardware (except tools)

### PLAN VIEW

(unit : inch)



**COVER PLAN VIEW**

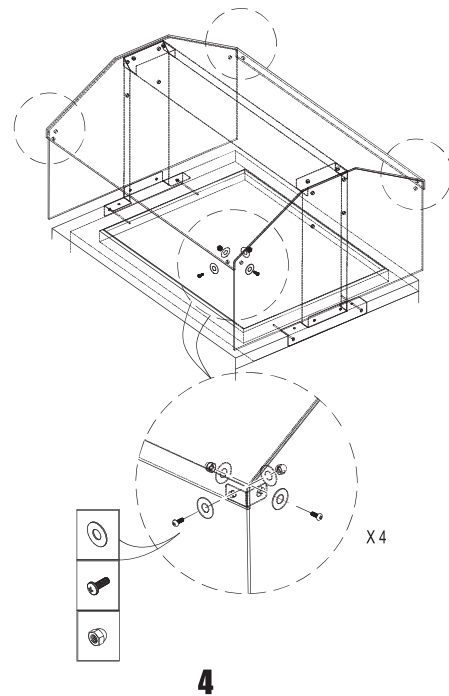
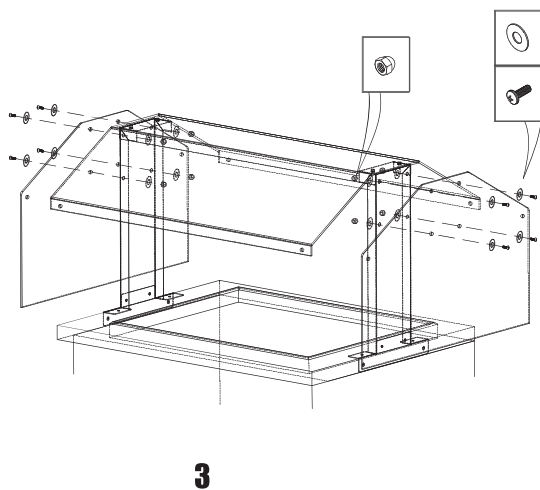
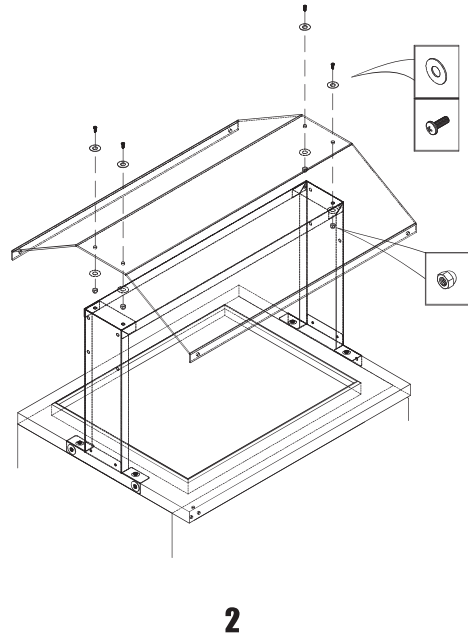
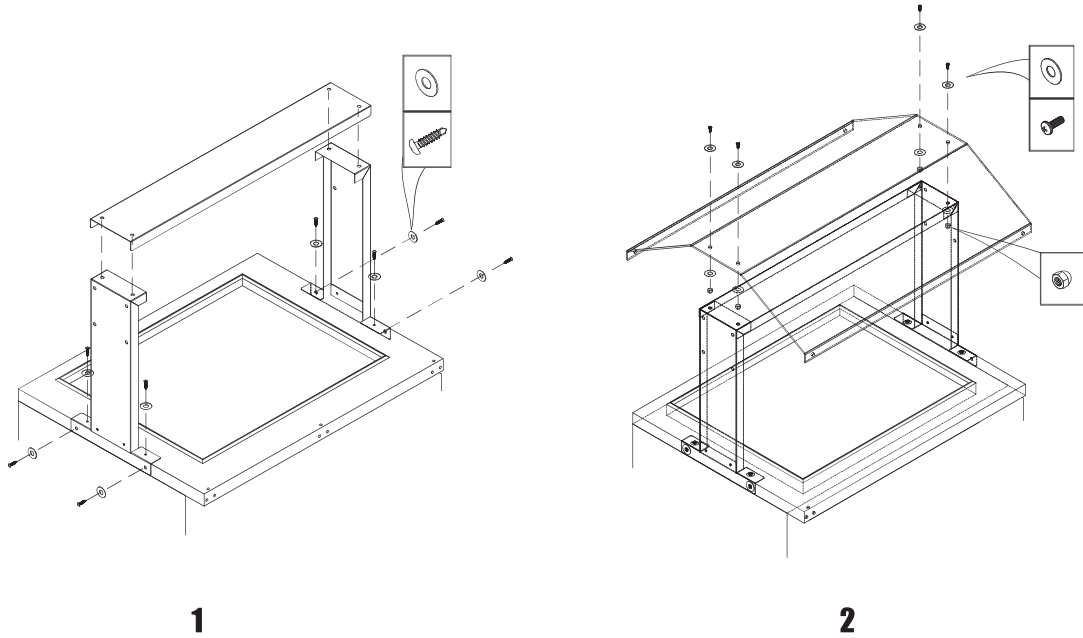


**SIDE VIEW**

Model	L (in.)	Crated Weight (lbs.)
SNZ-36T	36 1/4 (922mm)	40
SNZ-48T	48 (1222mm)	55
SNZ-60T	60 (1522mm)	61
SNZ-72T	71 3/4 (1822mm)	67

# Sneeze Guards for JBT Series

## Installation Instruction



Ver.20250623

- Turbo Air: 800-627-0032
- Bake Tech Innovation: 800-500-3519
- Warranty: 800-381-7770
- AC: 888-900-1002