

DISPLAY PASS-THRU REFRIGERATOR

Model: 1RXNPT-GD-SD

Natural Refrigerant R-290 Model

1-Section Display Extra-Wide
Pass-Thru Refrigerator Glass Door on
Front, Solid Door on Rear

1RXNPT-GD-SD - Stainless steel front, aluminum end panels and interior
1RXNSAPT-GD-SD - Stainless steel exterior, aluminum interior
1RXNSSPT-GD-SD - Stainless steel exterior and interior
 Designed to maintain NSF-7 temperatures in 100°F ambient.



Options and Accessories

(upcharge and lead times may apply)

Additional epoxy coated steel shelves	Special electrical requirements (consult factory)
Chrome or stainless steel shelves	Half doors
Wine rack	Rehinging of doors (consult factory)
Adjustable legs and caster options	Custom laminates

Consult factory for other model configurations, options and accessories.

Continental
Refrigerator



Project Name:

Model Specified:

Location:

Item No:

Quantity:

AIA #:

SIS #:

Standard Model Features

REFRIGERATION SYSTEM

Self contained, performance rated
“plug” refrigeration system

Natural, environmentally safe,
high efficiency R-290 refrigerant¹

Refrigeration system is readily accessible on
top of cabinet, separate from the “food zone”

Automatic, hot gas condensate evaporator

Expansion valve system

CABINET ARCHITECTURE

3” non-CFC polyurethane foam insulation

Smooth, polished chrome workflow door handle

Triple-pane, tempered hinged glass door

Cam action, lift off hinges

Self-closing door

Magnetic snap in Santoprene™ door gasket

Cylinder lock in door

Heavy duty, epoxy coated steel shelves

Heavy duty pilaster strips

5” casters

MODEL FEATURES

LED interior lighting

Electronic control, off cycle defrost

Top and side air distribution ducts

Cabinet upper side panels and refrigeration “plug”
system can be removed and reinstalled at job site

¹ R-290 refrigerant meets all federal and state regulatory requirements.

APPROVAL:

Model Specifications

DIMENSIONAL DATA

Net Capacity (cubic feet)	30 (850 l)
Width, Overall (inches)	36 1/4 (921 mm)
Depth, Overall (inches) (including handle)	38 3/4 (984 mm)
Depth (inches) (less door)	32 (813 mm)
Depth (inches) (door open 90°)	100 (2540 mm)
Clear Door Width (inches)	29 5/8 (752 mm)
Clear Door Height (inches)	58 5/8 (1489 mm)
Height, Overall (inches) (including 5" casters)	82 1/4 (2089 mm)
Number of Doors	2
Number of Shelves	3
Shelf Area (square feet)	24.4 (2.3 sq m)

REFRIGERANT DATA

Condensing Unit Size (H.P.)	1/3
Capacity (BTU per hour)*	2940

ELECTRICAL DATA

Voltage (International)	115/60/1 (220/50/1)
Feed Wires (including ground)	3
Total Amps (International)	10.6 (5.3)
10 ft. Cord/Plug [attached] (International)	Yes (No)

SHIPPING DATA

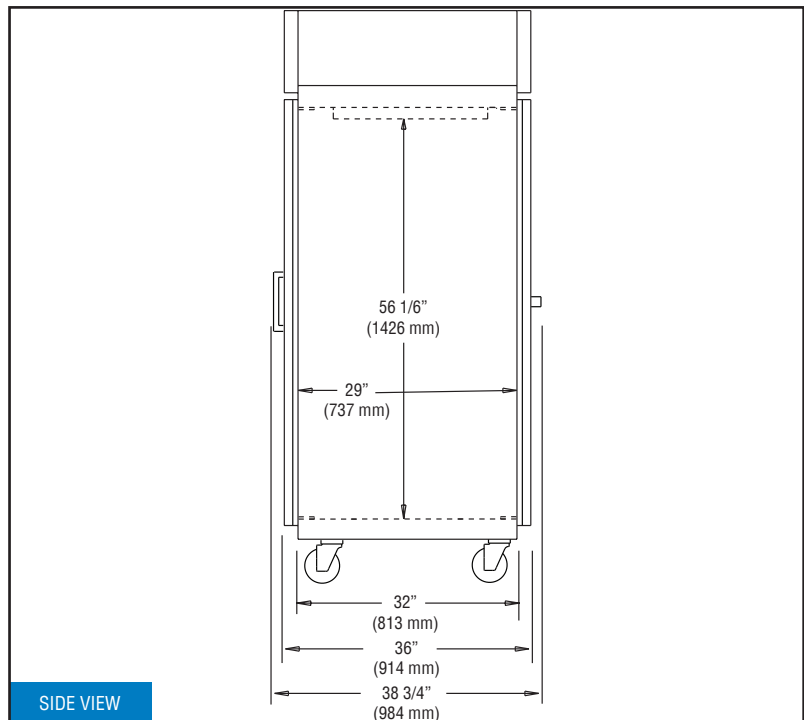
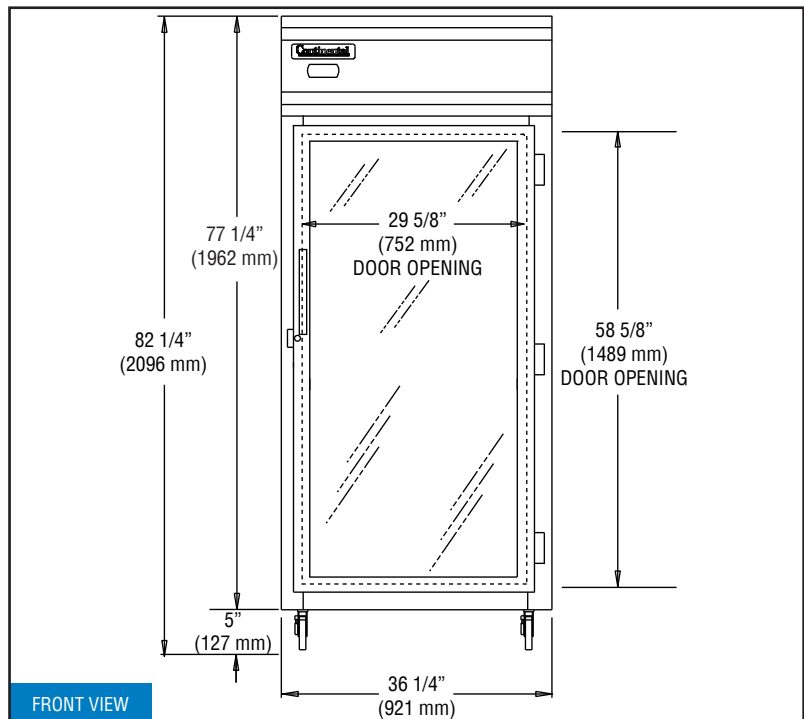
Height - Crated (inches)	85 1/2 (2172 mm)
Width - Crated (inches)	42 (1067 mm)
Depth - Crated (inches)	42 (1067 mm)
Volume - Crated (cubic feet)	87 (2464 cu l)
Weight Std - Crated (pounds)	430 (196 kg)
Weight SS - Crated (pounds)	485 (220 kg)

* Rating @ +25°F evaporator, 90°F ambient
Figures in parentheses reflect metric equivalents rounded to the nearest whole unit.



Equipped with one NEMA-5-15P Plug
(varies by country)

Model Plan Views



IMPORTANT NOTE: If the cabinet is located under a low ceiling, a minimum clearance of 12" is required on top and 3" on sides.



Toll-Free: 800-523-7138
Phone: 215-244-1400
Fax: 215-244-9579

539 Dunksferry Road
Bensalem, PA 19020
www.continentalrefrigerator.com

Due to our continued efforts in developing innovative products, specifications subject to change without notice.



PROUDLY
DESIGNED & ASSEMBLED
IN THE U.S.A.

Intertek

© Copyright 2021. Continental Refrigerator.
A Division of National Refrigeration & Air Conditioning Products, Inc.

REVISED: 6/17/25