

## DESIGNER LINE PASS THRU DISPLAY REFRIGERATOR

### Model: **D1RXNPT-GD-GD**

Natural Refrigerant R-290 Model

*Designer Line*

## 1-Section Display Extra-Wide Pass-Thru Refrigerator - Glass Doors on Front and Rear

**D1RXNPT-GD-GD** - Stainless steel front, aluminum end panels and interior

**D1RXNSAPT-GD-GD** - Stainless steel exterior, aluminum interior

**D1RXNSSPT-GD-GD** - Stainless steel exterior and interior



## Options and Accessories

(upcharge and lead times may apply)

Additional epoxy coated steel shelves	Special electrical requirements (consult factory)
Chrome or stainless steel shelves	Adjustable legs and Caster options
Wine rack	Rehinging of doors (consult factory)
	Custom laminates

Consult factory for other model configurations, options and accessories.

**Continental**<sup>®</sup>  
Refrigerator



Project Name:

Model Specified:

Location:

Item No:

Quantity:

AIA #:

SIS #:

## Standard Model Features

### REFRIGERATION SYSTEM

Self contained, performance rated "plug" refrigeration system

Natural, environmentally safe, high efficiency R-290 refrigerant<sup>1</sup>

Refrigeration system is readily accessible on top of cabinet, separate from the "food zone"

Automatic, hot gas condensate evaporator

Expansion valve system

### CABINET ARCHITECTURE

3" non-CFC polyurethane foam insulation

Smooth, polished chrome workflow door handle

Triple-pane, tempered hinged glass doors

Cam action, lift off hinges

Self-closing door

Magnetic snap-in Santoprene™ door gasket

Cylinder lock in door

Heavy duty pilaster strips

Heavy duty, epoxy coated steel shelves

Adjustable 6" stainless steel legs

### MODEL FEATURES

LED interior lighting

Electronic control, off cycle defrost

Top and side air distribution ducts

Cabinet upper side panels and refrigeration "plug" system can be removed and reinstalled at job site

<sup>1</sup> R-290 refrigerant meets all federal and state regulatory requirements.

APPROVAL:

# Model Specifications

## DIMENSIONAL DATA

Net Capacity (cubic feet)	32 (906 l)
Width, Overall (inches)	36 1/4 (921 mm)
Depth, Overall (inches) (including handles)	38 3/4 (984 mm)
Depth (inches) (less doors)	32 (813 mm)
Depth (inches) (doors open 90°)	100 (2540 mm)
Clear Door Width (inches)	29 5/8 (752 mm)
Clear Door Height (inches)	58 5/8 (1489 mm)
Height, Overall (inches) (including 6" legs)	83 1/4 (2115 mm)
Number of Doors	2
Number of Shelves	3
Shelf Area (square feet)	24.4 (2.3 sq m)

## REFRIGERANT DATA

Condensing Unit Size (H.P.)	1/3
Capacity (BTU per hour)*	2940

## ELECTRICAL DATA

Voltage (International)	115/60/1 (220/50/1)
Feed Wires (including ground)	3
Total Amps (International)	10.6 (5.3)
10 ft. Cord/Plug [attached] (International)	Yes (No)

## SHIPPING DATA

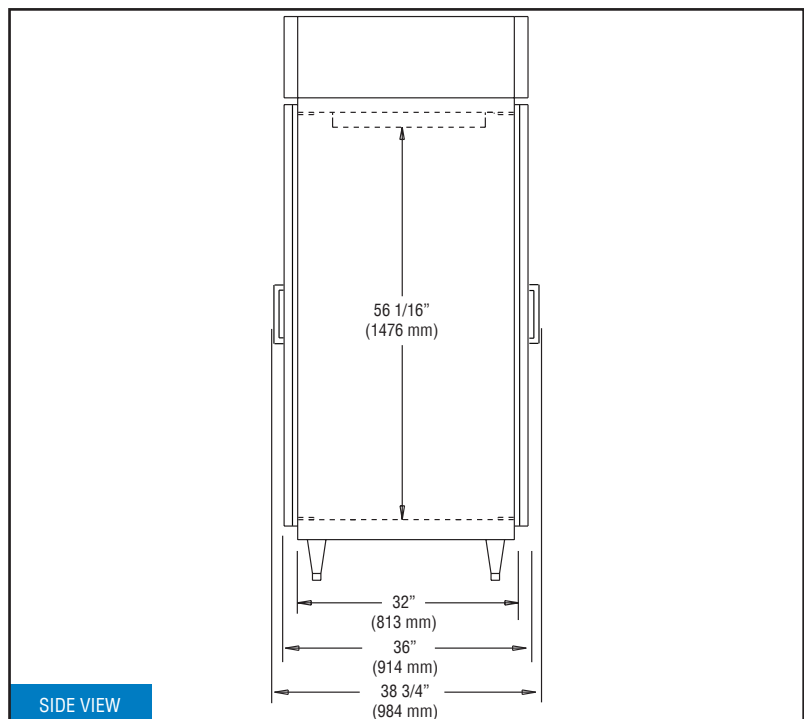
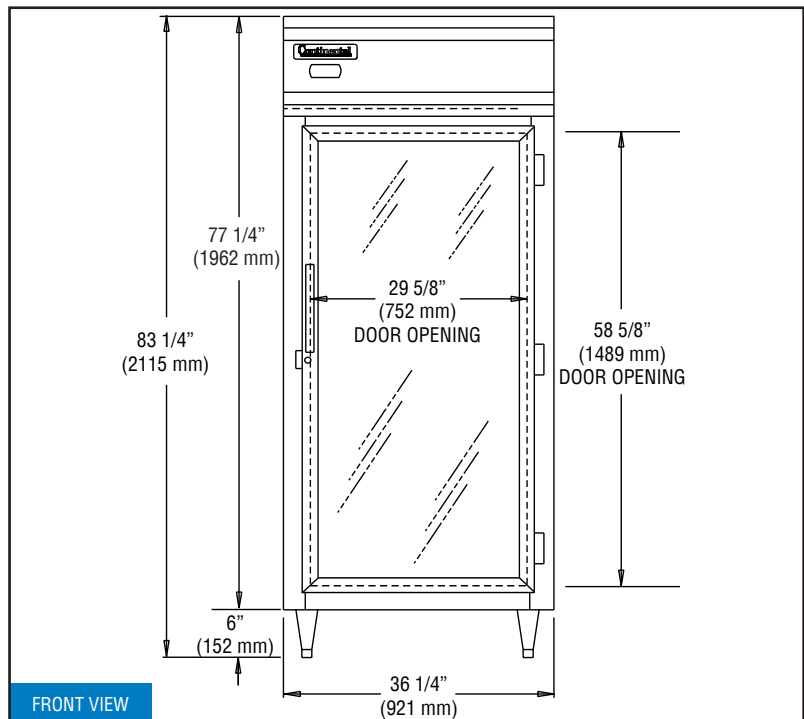
Height - Crated (inches)	85 1/2 (2172 mm)
Width - Crated (inches)	42 (1067 mm)
Depth - Crated (inches)	42 (1067 mm)
Volume - Crated (cubic feet)	87 (2464 cu l)
Weight Std - Crated (pounds)	580 (264 kg)
Weight SS - Crated (pounds)	580 (264 kg)

\* Rating @ +25°F evaporator, 90°F ambient  
Figures in parentheses reflect metric equivalents rounded to the nearest whole unit.



Equipped with one NEMA-5-15P Plug  
(varies by country)

# Model Plan Views



**IMPORTANT NOTE:** If the cabinet is located under a low ceiling, a minimum clearance of 12" is required on top and 3" on sides.



Toll-Free: 800-523-7138  
Phone: 215-244-1400  
Fax: 215-244-9579

539 Dunksferry Road  
Bensalem, PA 19020  
[www.continentalrefrigerator.com](http://www.continentalrefrigerator.com)

Due to our continued efforts in developing innovative products, specifications subject to change without notice.

